

1.0 MATERIAL & FINISH

- 1.1 BODY: BRASS, ALBALOY PLATED
- 1.2 CENTER CONTACT: BERYLLIUM BRONZE, SILVER PLATED
- 1.3 INSULATOR: PEI
- 1.4 COUPLING NUT: BRASS, ALBALOY PLATED
- 1.5 GASKTE: MVQ(SILICONE RUBBER)

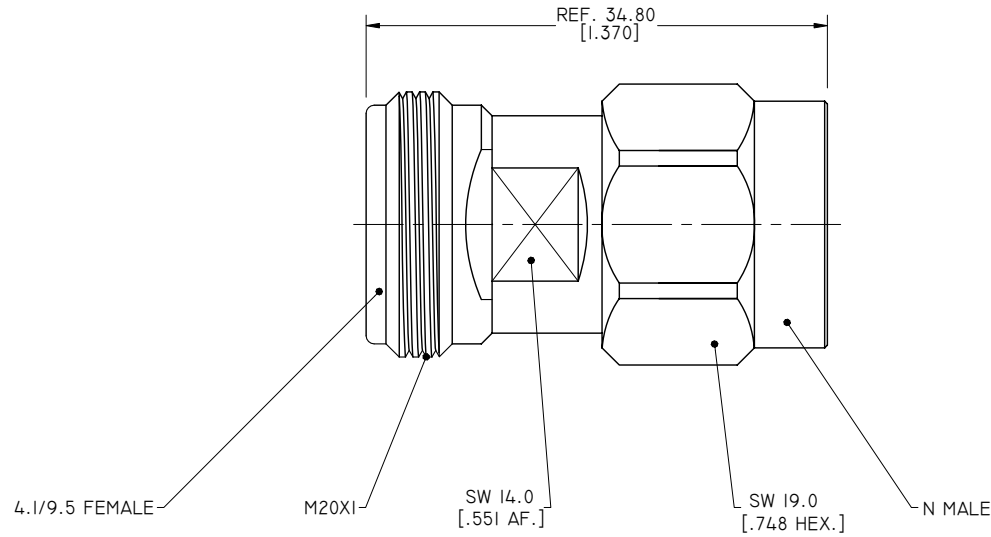
2.0 ENVIRONMENTAL DATA:

- 2.1 TEMPERATURE RANGE: -55°C~+125°C
- 2.2 2011/65/EU (RoHS): COMPLIANT

3.0 ELECTRICAL SPECIFICATIONS:

- 3.1 IMPEDANCE: 50 Ω
- 3.2 FREQUENCY RANGE: DC~11GHZ
- 3.3 VSWR: ≤1.2

REVISIONS			
REV.	DESCRIPTION	DATE	APPROVED
A	INITIAL RELEASE	09/19/15	J. QU



DRAWN	P. CHEN	DATE	09/19/15
CHECKED	L. YANG	DATE	09/19/15
APPROVED	J. QU	DATE	09/19/15
UNLESS OTHERWISE SPECIFIED DIMENSIONS ARE IN MILLIMETERS, DIMENSIONS IN [ ] ARE IN INCHES FOR CUSTOMER REFERENCE ONLY UNLESS OTHERWISE SPECIFIED TOLERANCE ARE:		THESE DRAWINGS AND SPECIFICATIONS ARE THE PROPERTY OF ANOISON ELECTRONICS LTD AND SHOULD NOT BE USED WITHOUT WRITTEN PERMISSION COPYRIGHT © 2015 ANOISON ELECTRONICS LTD	
.XX	±0.13 [.005"]		
.X	±0.20 [.008"]		
X	±0.50 [.019"]		
.X°	±1°		
X°	±2°		



TITLE			
ADAPTER, 4.1/9.5 FEMALE TO N MALE			
VIEW		PART NO.	
		ANO 462-511-I322	
SIZE	SCALE	SHEET	REV.
A3	2.5:1	1/1	A