

MATERIAL & FINISH:

- 1 BODY: BRASS, ALBALOY PLATED
- 2 CENTER CONTACT: PHOSPHOR BRONZE, SILVER PLATED
- 3 INSULATOR: PTFE
- 4 COUPLING NUT: BRASS, ALBALOY PLATED
- 5 O-RING: SILICONE PER MIL-G-83528

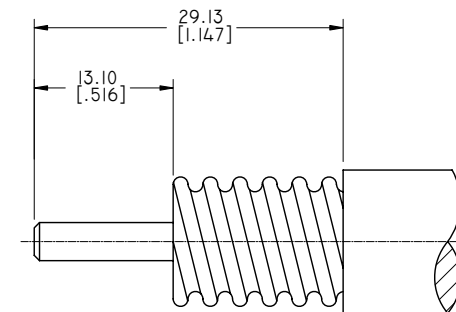
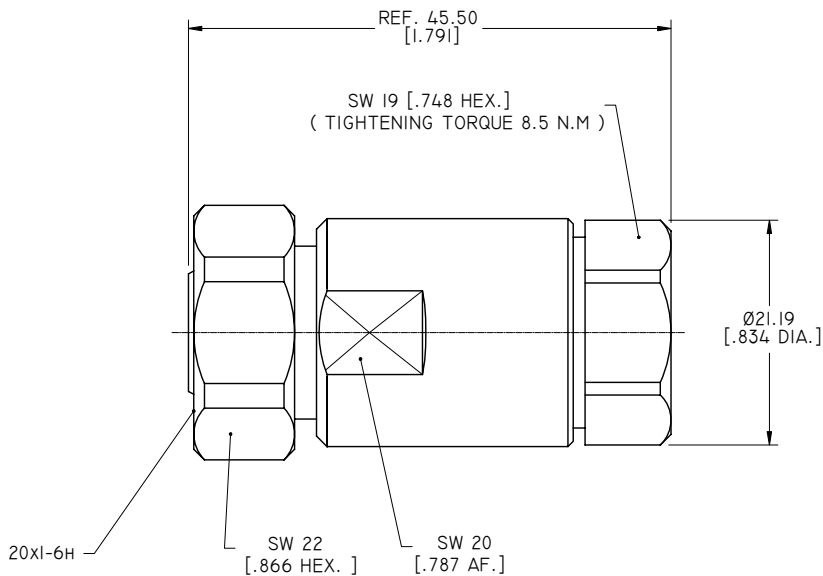
ELECTRICAL DATA:

- 1 IMPEDANCE: 50 Ω
- 2 FREQUENCY RANGE: DC~3 GHz
- 3 VSWR: ≤1.25
- 4 PIM3: 155 DBC MIN AT 2X20W (900 MHZ)

ENVIRONMENTAL DATA:

- 1 TEMPERATURE RANGE: -40°C ~ +85°C
- 2 2011/65/EU (RoHS): COMPLIANT

| REVISIONS | | | |
|-----------|-----------------|----------|----------|
| REV. | DESCRIPTION | DATE | APPROVED |
| A | INITIAL RELEASE | 06/04/16 | J. QU |



CABLE STRIPPING DIMENSIONS

| | | | |
|---|---------------|--|----------|
| DRAWN | P. CHEN | DATE | 06/04/16 |
| CHECKED | L. YANG | DATE | 06/04/16 |
| APPROVED | J. QU | DATE | 06/04/16 |
| UNLESS OTHERWISE SPECIFIED DIMENSIONS ARE IN MILLIMETERS. DIMENSIONS IN [] ARE IN INCHES FOR CUSTOMER REFERENCE ONLY UNLESS OTHERWISE SPECIFIED TOLERANCE ARE: | | THESE DRAWINGS AND SPECIFICATIONS ARE THE PROPERTY OF ANOISON ELECTRONICS LTD AND SHOULD NOT BE USED WITHOUT WRITTEN PERMISSION COPYRIGHT © 2016 ANOISON ELECTRONICS LTD | |
| .XX | ±0.13 [.005"] | | |
| .X | ±0.20 [.008"] | | |
| X | ±0.50 [.019"] | | |
| .X° | ±1° | | |
| X° | ±2° | | |



| | | | |
|---|-------|---------------|------|
| TITLE | | | |
| 4.1-9.5 STRAIGHT MALE CLAMP FOR 1/2" SUPER FLEX CABLE | | | |
| VIEW | | PART NO. | |
| | | ANO 4611-2004 | |
| SIZE | SCALE | SHEET | REV. |
| A3 | 2:1 | 1/1 | A |