

MATERIAL & FINISH:

- 1. BODY: BRASS, ALBALOY PLATED
- 2. COUPLING NUT: BRASS, ALBALOY PLATED
- 3. CENTER CONTACT: PHOSPHOR BRONZE, SILVER PLATED
- 4. INSULATOR: PTFE
- 5. O-RING: MVQ(SILICONE RUBBER)

ELECTRICAL DATA:

- 1. IMPEDANCE: 50 Ω
- 2. FREQUENCY RANGE: DC~11 GHZ
- 3. VSWR: 1.20 MAX. AT DC~6GHZ
- 4. PROOF VOLTAGE AT SEA LEVEL: 2.5KV
- 5. INSULATION RESISTANCE: 5000 MΩ
- 6. INTERMODULATION(3<sup>RD</sup> ORDER): < -155 DBC(2X43 DBM) AT 0.4~4 GHZ

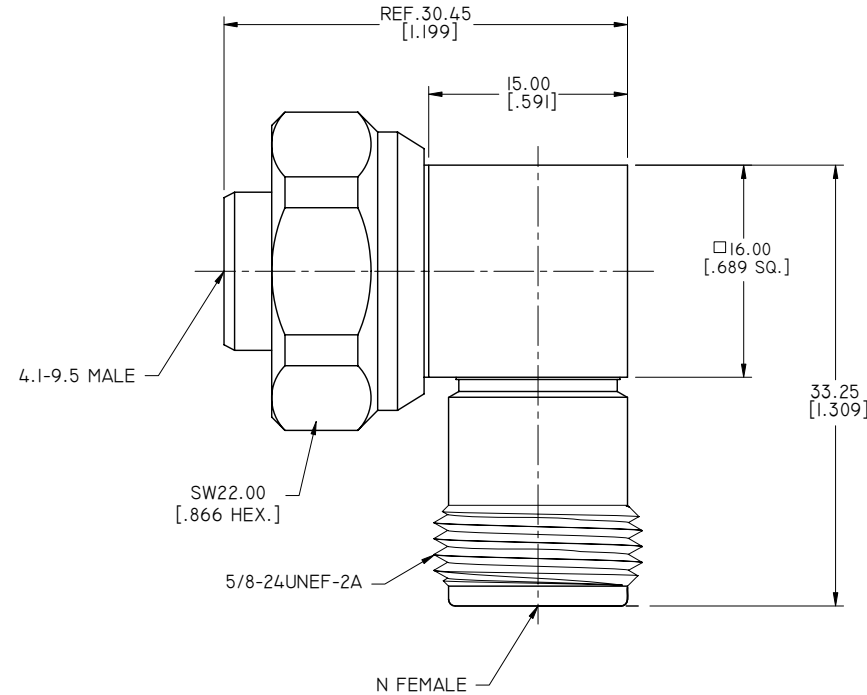
ENVIRONMENTAL DATA:

- 1. TEMPERATURE RANGE: -55°C~+90°C
- 2. 2011/65/EC (RoHS): COMPLIANT

APPLICABLE STANDARDS:

- 1. 4.1-9.5 INTERFACE ACCORDING TO: IEC61169-II
- 2. N INTERFACE ACCORDING TO: IEC61169-16

REVISIONS			
REV.	DESCRIPTION	DATE	APPROVED
A	INITIAL RELEASE	10/26/16	J. QU
B	30.45 [1.199] WAS 30.85 [1.215]	05/04/17	J. QU



DRAWN	X. B. YANG	DATE	05/04/17
CHECKED	W. YANG	DATE	05/04/17
APPROVED	J. QU	DATE	05/04/17
UNLESS OTHERWISE SPECIFIED DIMENSIONS ARE IN MILLIMETERS. DIMENSIONS IN [ ] ARE IN INCHES FOR CUSTOMER REFERENCE ONLY UNLESS OTHERWISE SPECIFIED TOLERANCE ARE:		THESE DRAWINGS AND SPECIFICATIONS ARE THE PROPERTY OF ANOISON ELECTRONICS LTD AND SHOULD NOT BE USED WITHOUT WRITTEN PERMISSION COPYRIGHT © 2017 ANOISON ELECTRONICS LTD	
.XX	±0.13 [.005"]		
.X	±0.20 [.008"]		
X	±0.50 [.019"]		
.X°	±1°		
X°	±2°		



TITLE  
ADAPTER, 4.1-9.5 MALE TO N RIGHT ANGLE FEMALE

VIEW	PART NO. ANO 461-512-2384			
	SIZE A3	SCALE 2.5:1	SHEET 1/1	REV. B