

4

3

2

1

MATERIAL & FINISH:

- 1 BODY: BRASS, ALBALOY OVER SILVER PLATED
- 2 COUPLING NUT: BRASS, ALBALOY PLATED
- 3 CENTER CONTACT: BERYLLIUM COPPER ALLOY, SILVER PLATED
- 4 INSULATOR: PEI
- 5 O-RING: MVQ(SILICONE RUBBER)

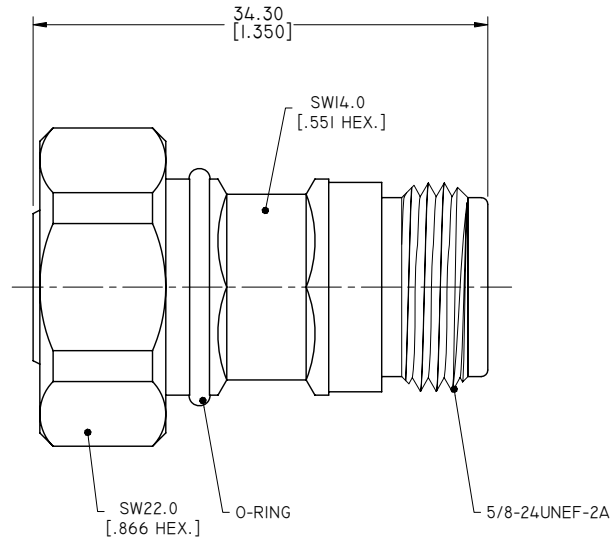
ENVIRONMENTAL DATA:

- 1 TEMPERATURE RANGE: -40°C~+85°C
- 2 2011/65/EU (RoHS): COMPLIANT

ELECTRICAL DATA:

- 1 IMPEDANCE: 50 Ω
- 2 FREQUENCY RANGE: DC~14 GHz
- 3 VSWR: 1.07 MAX. AT DC~3 GHz
1.10 MAX. AT 3~6 GHz
- 4 INSERTION LOSS: 0.10X √F(GHZ) DB MAX.
- 5 TEST VOLTAGE(AT SEA LEVEL): 2500 V RMS
- 7 INTERMODULATION(3RD ORDER): 155 DBC(2X43 DBM) MIN.

REVISIONS			
REV.	DESCRIPTION	DATE	APPROVED
A	INITIAL RELEASE	08/08/14	J. QU



DRAWN	X. B. YANG	DATE	08/08/14
CHECKED	L. YANG	DATE	08/08/14
APPROVED	J. QU	DATE	08/08/14
UNLESS OTHERWISE SPECIFIED DIMENSIONS ARE IN MILLIMETERS, DIMENSIONS IN [] ARE IN INCHES FOR CUSTOMER REFERENCE ONLY UNLESS OTHERWISE SPECIFIED TOLERANCE ARE:		THESE DRAWINGS AND SPECIFICATIONS ARE THE PROPERTY OF ANOISON ELECTRONICS LTD AND SHOULD NOT BE USED WITHOUT WRITTEN PERMISSION COPYRIGHT © 2014 ANOISON ELECTRONICS LTD	
.XX	±0.13 [.005"]		
.X	±0.20 [.008"]		
X	±0.50 [.019"]		
.X°	±1°		
X°	±2°		



TITLE			
ADAPTER, 4.1-9.5 MALE TO N FEMALE			
VIEW		PART NO.	
		ANO 461-512-1284	
SIZE	SCALE	SHEET	REV.
A3	2.5:1	1/1	A

4

3

2

1