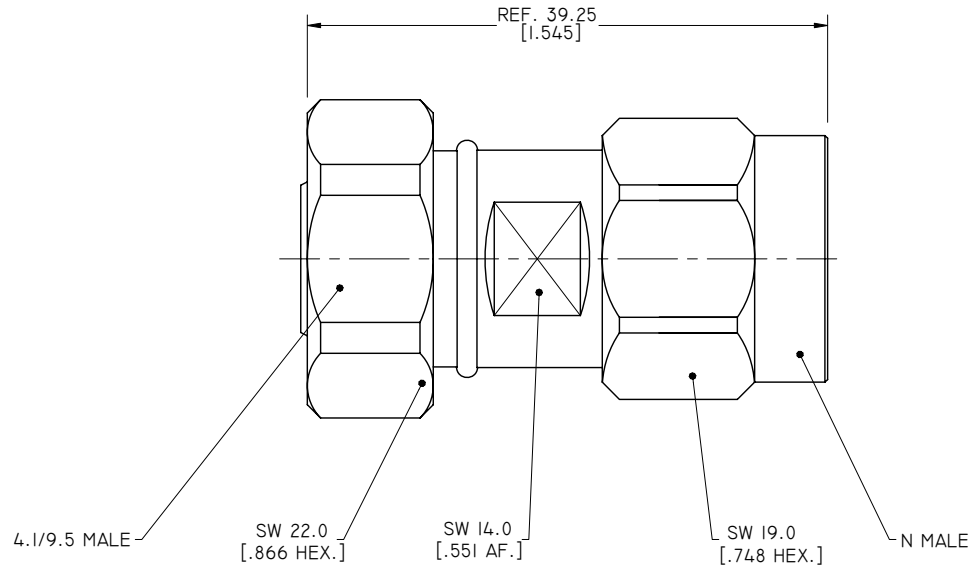


1.0 MATERIAL & FINISH  
 1.1 BODY: BRASS, ALBALOY PLATED  
 1.2 CENTER CONTACT: BRASS, SILVER PLATED  
 1.3 INSULATOR: PEI  
 1.4 COUPLING NUT: BRASS, ALBALOY PLATED  
 1.5 GASKTE: MVQ(SILICONE RUBBER)

2.0 ENVIRONMENTAL DATA:  
 2.1 TEMPERATURE RANGE: -55°C~+125°C  
 2.2 2011/65/EU (RoHS): COMPLIANT

3.0 ELECTRICAL SPECIFICATIONS:  
 3.1 IMPEDANCE: 50 Ω  
 3.2 FREQUENCY RANGE: DC~11GHZ  
 3.3 VSWR: ≤1.2

| REVISIONS |                 |          |          |
|-----------|-----------------|----------|----------|
| REV.      | DESCRIPTION     | DATE     | APPROVED |
| A         | INITIAL RELEASE | 09/18/15 | J. QU    |



|   |               |  |          |
|---|---------------|--|----------|
| DRAWN   | P. CHEN       | DATE   | 09/18/15 |
| CHECKED   | L. YANG       | DATE   | 09/18/15 |
| APPROVED  | J. QU         | DATE   | 09/18/15 |
| UNLESS OTHERWISE SPECIFIED DIMENSIONS ARE IN MILLIMETERS, DIMENSIONS IN [ ] ARE IN INCHES FOR CUSTOMER REFERENCE ONLY UNLESS OTHERWISE SPECIFIED TOLERANCE ARE: |               | THESE DRAWINGS AND SPECIFICATIONS ARE THE PROPERTY OF ANOISON ELECTRONICS LTD AND SHOULD NOT BE USED WITHOUT WRITTEN PERMISSION COPYRIGHT © 2015 ANOISON ELECTRONICS LTD |          |
| .XX   | ±0.13 [.005"] |  |          |
| .X  | ±0.20 [.008"] |  |          |
| X   | ±0.50 [.019"] |  |          |
| .X°   | ±1°           |  |          |
| X°  | ±2°           |  |          |



|                                 |       |                  |      |
|---------------------------------|-------|------------------|------|
| TITLE                           |       |                  |      |
| ADAPTER, 4.1/9.5 MALE TO N MALE |       |                  |      |
| VIEW                            |       | PART NO.         |      |
|                                 |       | ANO 461-511-1321 |      |
| SIZE                            | SCALE | SHEET            | REV. |
| A3                              | 2.5:1 | 1/1              | A    |