

4

3

2

1

**MATERIAL & FINISH:**

- 1 BODY: BERYLLIUM COPPER ALLOY, GOLD PLATED
- 2 CENTER CONTACT: BERYLLIUM COPPER ALLOY, GOLD PLATED
- 3 INSULATOR: PTFE
- 4 SPRING: STAINLESS STEEL, PASSIVATED

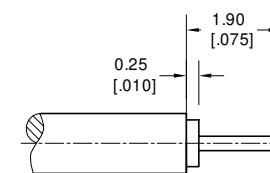
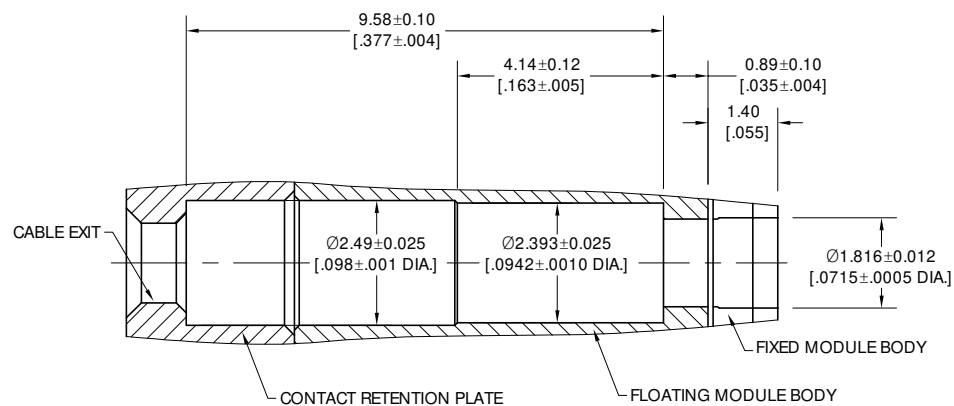
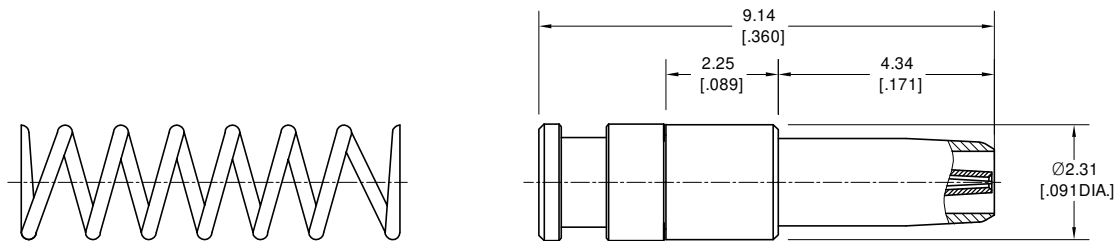
**ELECTRICAL DATA:**

- 1 IMPEDANCE: 50 Ω
- 2 FREQUENCY RANGE: DC~40 GHz
- 3 VSWR: 1.40 MAX.

**ENVIRONMENTAL DATA:**

- 1 TEMPERATURE RANGE: -55 °C~+165 °C
- 2 2011/65/EU (RoHS) AND 2015/863/(RoHS): COMPLIANT
- 3 1999/45/EC (REACH): COMPLIANT

REVISIONS			
REV.	DESCRIPTION	DATE	APPROVED
A	INITIAL RELEASE	05/10/22	J QU



CABLE STRIPPING DIMENSIONS

RECOMMENDED MOUNTING HOLE

DRAWN	P. CHEN	DATE	05/10/22
CHECKED	X. B. YANG	DATE	05/10/22
APPROVED	J QU	DATE	05/10/22
UNLESS OTHERWISE SPECIFIED DIMENSIONS ARE IN MILLIMETERS, DIMENSIONS IN [ ] ARE IN INCHES FOR CUSTOMER REFERENCE ONLY UNLESS OTHERWISE SPECIFIED TOLERANCE ARE:		THESE DRAWINGS AND SPECIFICATIONS ARE THE PROPERTY OF ANOISON ELECTRONICS LTD AND SHOULD NOT BE USED WITHOUT WRITTEN PERMISSION COPYRIGHT © 2022 ANOISON ELECTRONICS LTD	
XX	±0.13 [0.005"]		
X	±0.20 [0.008"]		
x	±0.50 [0.019"]		
X°	±1°		
X"	±2°		

**TITLE**  
NanoRF PIN CONTACT ASSEMBLY SOLDER FOR .047 CABLE

<b>VIEW</b>	<b>PART NO.</b> ANO 4112-2026				
	<table border="1"> <tr> <td><b>SIZE</b> A3</td> <td><b>SCALE</b> 10:1</td> <td><b>SHEET</b> 1/1</td> <td><b>REV.</b> A</td> </tr> </table>	<b>SIZE</b> A3	<b>SCALE</b> 10:1	<b>SHEET</b> 1/1	<b>REV.</b> A
<b>SIZE</b> A3	<b>SCALE</b> 10:1	<b>SHEET</b> 1/1	<b>REV.</b> A		

4

3

2

1