

4

3

2

1

MATERIAL & FINISH:

- 1 BODY: BERYLLIUM COPPER ALLOY, GOLD PLATED
- 2 CENTER CONTACT: BERYLLIUM COPPER ALLOY, GOLD PLATED
- 3 INSULATOR: PTFE

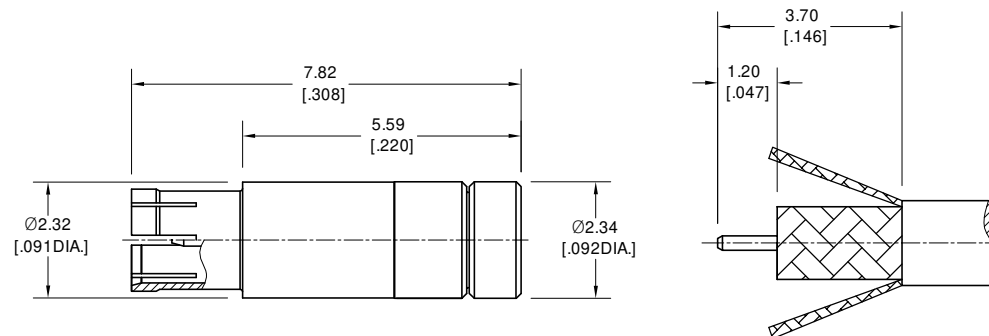
ELECTRICAL DATA:

- 1 IMPEDANCE: 50 Ω
- 2 FREQUENCY RANGE: DC~18 GHz
- 3 VSWR: 1.30 MAX.

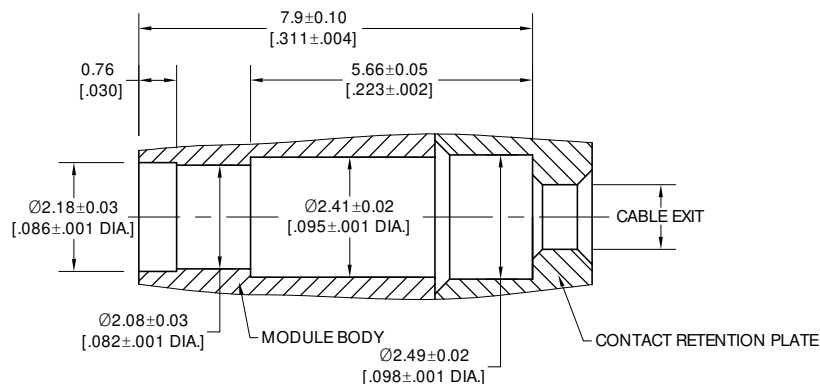
ENVIRONMENTAL DATA:

- 1 TEMPERATURE RANGE: -55 °C~+165 °C
- 2 2011/65/EU (RoHS) AND 2015/863/(RoHS): COMPLIANT
- 3 1999/45/EC (REACH): COMPLIANT

REVISIONS			
REV.	DESCRIPTION	DATE	APPROVED
A	INITIAL RELEASE	12/13/24	J Q



CABLE STRIPPING DIMENSIONS



RECOMMENDED MOUNTING HOLE
(VITA67.3 PLUG-IN CARD, NanoRF is equivalent to TE P/N 2302339-1)

DRAWN	P. C	DATE	12/13/24
CHECKED	X. Y	DATE	12/13/24
APPROVED	J Q	DATE	12/13/24
UNLESS OTHERWISE SPECIFIED DIMENSIONS ARE IN MILLIMETERS, DIMENSIONS IN [] ARE IN INCHES FOR CUSTOMER REFERENCE ONLY UNLESS OTHERWISE SPECIFIED TOLERANCE ARE:		THESE DRAWINGS AND SPECIFICATIONS ARE THE PROPERTY OF ANOISON ELECTRONICS LTD AND SHOULD NOT BE USED WITHOUT WRITTEN PERMISSION COPYRIGHT © 2024 ANOISON ELECTRONICS LTD	
XX	±0.13 [.005"]		
X	±0.20 [.008"]		
X	±0.50 [.019"]		
.X	±1°		
.X	±2°		



TITLE
NanoRF MALE VITA 67.3 PLUG-IN CARD CONTACT SOLDER FOR MB067 CABLE (EQUIVALENT TO TE P/N 2302339-1)

VIEW	PART NO. ANO 4111-2045	SIZE A3	SCALE 10:1	SHEET 1/1	REV. A
------	---------------------------	------------	---------------	--------------	-----------

4

3

2

1