

4 3 2 1

**MATERIAL & FINISH:**

**EIA 1-5/8 CONNECTOR:**

- 1 BODY: BRASS, ALBALOY PLATED
- 2 CENTER CONTACT: BRASS, SILVER PLATED
- 3 INSULATOR: PTFE
- 4 FLANGE: BRASS, ALBALOY PLATED

**ELECTRICAL DATA:**

- 1 IMPEDANCE: 50 Ω
- 2 FREQUENCY RANGE: DC~100MHz

**ENVIRONMENTAL DATA:**

- 1 TEMPERATURE RANGE: -55°C~+155°C
- 2 2011/65/EU(RoHS) AND 2015/863/(RoHS): COMPLIANT
- 3 1999/45/EC(REACH): COMPLIANT

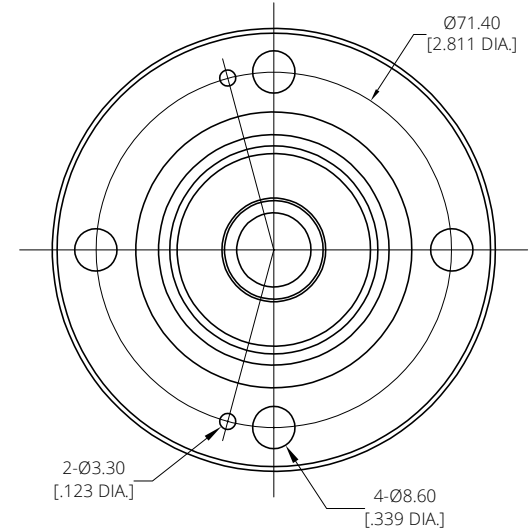
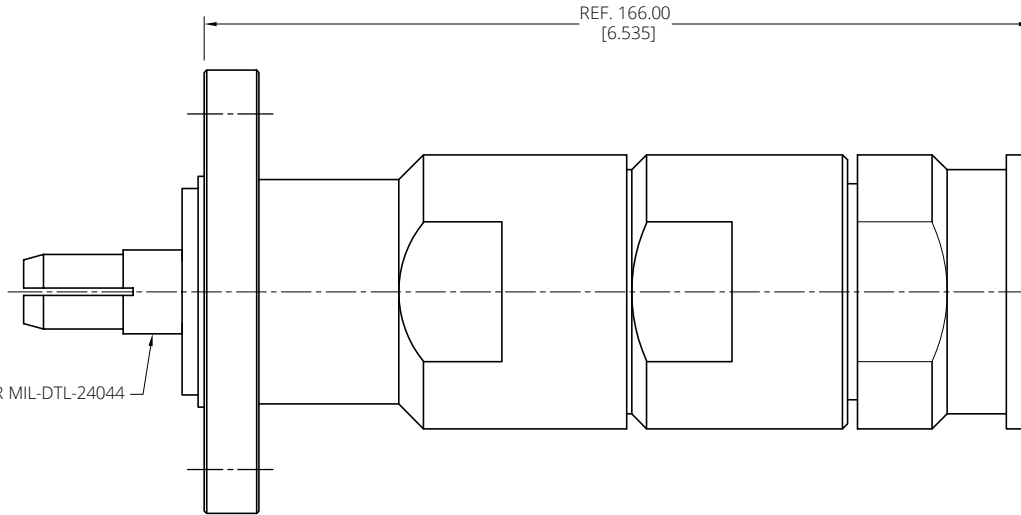
REVISIONS			
REV.	DESCRIPTION	DATE	APPROVED
A	INITIAL RELEASE	07/17/24	J. Q

D D

C C

B B

A A



DRAWN	W. Y	DATE	07/17/24
CHECKED	X. Y	DATE	07/17/24
APPROVED	J. Q	DATE	07/17/24
UNLESS OTHERWISE SPECIFIED DIMENSIONS ARE IN MILLIMETERS, DIMENSIONS IN [ ] ARE IN INCHES FOR CUSTOMER REFERENCE ONLY UNLESS OTHERWISE SPECIFIED TOLERANCE ARE:		THESE DRAWINGS AND SPECIFICATIONS ARE THE PROPERTY OF ANOISON ELECTRONICS LTD AND SHOULD NOT BE USED WITHOUT WRITTEN PERMISSION COPYRIGHT © 2024 ANOISON ELECTRONICS LTD	
XX	±0.13 [005"]		
X	±0.20 [008"]		
X	±0.50 [019"]		
X°	±1°		
X°	±2°		



TITLE			
1-5/8 MALE SOLDER FOR EP1160 CABLE			
VIEW		PART NO.	
		ANO 4111-2039	
SIZE	SCALE	SHEET	REV.
A3	1:1	1/1	A

4 3 2 1