

MATERIAL & FINISH:

EIA 7/8 CONNECTOR:

- 1 BODY: BRASS, ALBALOY PLATED
- 2 CENTER CONTACT: BRASS, SILVER PLATED
- 3 INSULATOR: PTFE
- 4 FLANGE: BRASS, ALBALOY PLATED

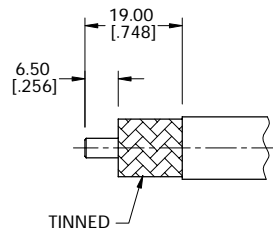
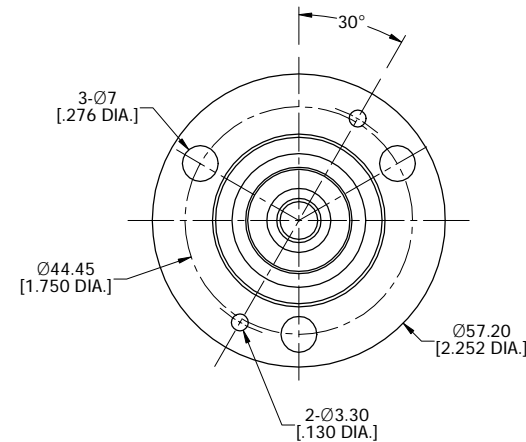
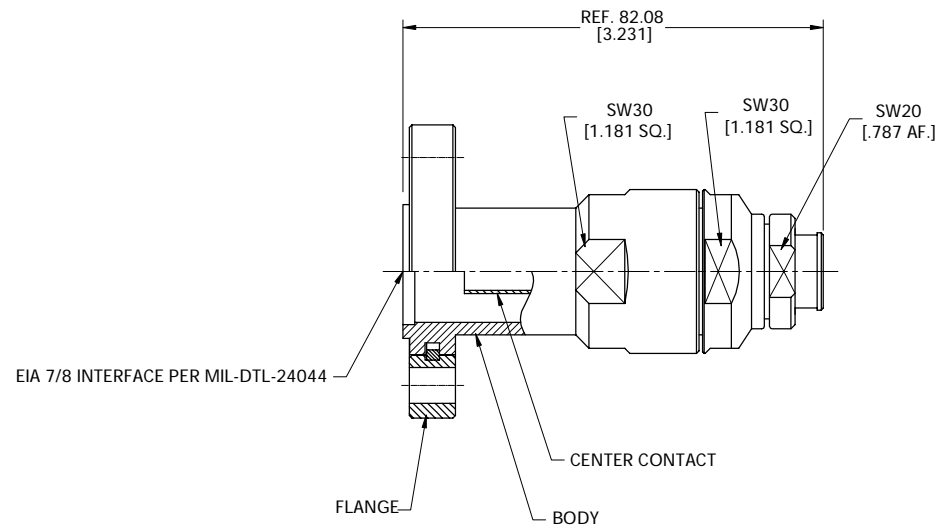
ELECTRICAL DATA:

- 1 IMPEDANCE: 50 Ω
- 2 FREQUENCY RANGE: DC-500MHz

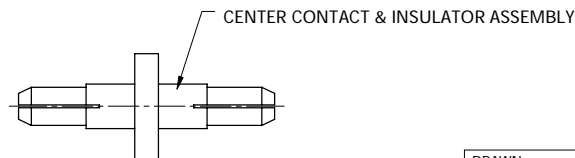
ENVIRONMENTAL DATA:

- 1 TEMPERATURE RANGE: -55°C - +125°C
- 2 2011/65/EU(RoHS) AND 2015/863/(RoHS): COMPLIANT
- 3 1999/45/EC(REACH): COMPLIANT

REVISIONS			
REV.	DESCRIPTION	DATE	APPROVED
A	INITIAL RELEASE	12/13/23	J. Q



CABLE STRIPPING DIMENSIONS



DRAWN	X. Y	DATE	12/13/23
CHECKED	W. Y	DATE	12/13/23
APPROVED	J. Q	DATE	12/13/23
UNLESS OTHERWISE SPECIFIED DIMENSIONS ARE IN MILLIMETERS, DIMENSIONS IN [] ARE IN INCHES FOR CUSTOMER REFERENCE ONLY UNLESS OTHERWISE SPECIFIED TOLERANCE ARE:		THESE DRAWINGS AND SPECIFICATIONS ARE THE PROPERTY OF ANOISON ELECTRONICS LTD AND SHOULD NOT BE USED WITHOUT WRITTEN PERMISSION COPYRIGHT © 2023 ANOISON ELECTRONICS LTD	
XX	±0.13 [.005"]		
X	±0.20 [.008"]		
X	±0.50 [.019"]		
X°	±1°		
X"	±2°		



TITLE			
EIA 7/8 MALE SOLDER FOR PLEX480S CABLE			
VIEW		PART NO.	
		ANO 4111-2037	
SIZE	SCALE	SHEET	REV.
A3	1:1	1/1	A