

MATERIAL & FINISH:

- 1 BODY: BERYLLIUM COPPER ALLOY, GOLD PLATED
- 2 CENTER CONTACT: BERYLLIUM COPPER ALLOY, GOLD PLATED
- 3 INSULATOR: PTFE

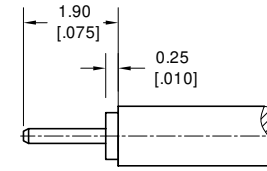
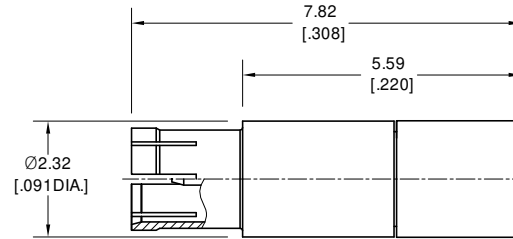
ELECTRICAL DATA:

- 1 IMPEDANCE: 50 Ω
- 2 FREQUENCY RANGE: DC-67 GHz
- 3 VSWR: 1.50 MAX.

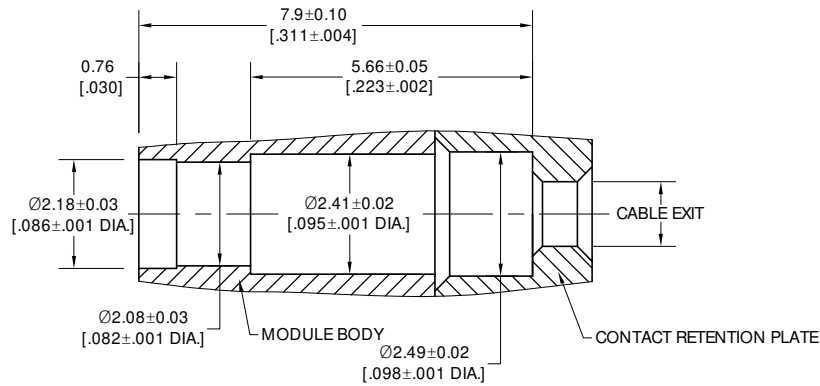
ENVIRONMENTAL DATA:

- 1 TEMPERATURE RANGE: -55 °C~+165 °C
- 2 2011/65/EU (RoHS) AND 2015/863/(RoHS): COMPLIANT
- 3 1999/45/EC (REACH): COMPLIANT

REVISIONS			
REV.	DESCRIPTION	DATE	APPROVED
A	INITIAL RELEASE	02/02/21	J QU



CABLE STRIPPING DIMENSIONS



RECOMMENDED MOUNTING HOLE

DRAWN	P. CHEN	DATE	04/21/21
CHECKED	X. B. YANG	DATE	04/21/21
APPROVED	J QU	DATE	04/21/21
UNLESS OTHERWISE SPECIFIED DIMENSIONS ARE IN MILLIMETERS, DIMENSIONS IN [] ARE IN INCHES FOR CUSTOMER REFERENCE ONLY UNLESS OTHERWISE SPECIFIED TOLERANCE ARE:		THESE DRAWINGS AND SPECIFICATIONS ARE THE PROPERTY OF ANOISON ELECTRONICS LTD AND SHOULD NOT BE USED WITHOUT WRITTEN PERMISSION COPYRIGHT © 2021 ANOISON ELECTRONICS LTD	
XX	±0.13 [.005"]		
X	±0.20 [.008"]		
X	±0.50 [.019"]		
X"	±1°		
X"	±2°		



TITLE			
NanoRF SOCKET CONTACT ASSEMBLY SOLDER FOR .047 CABLE			
VIEW		PART NO.	
		ANO 4111-2021	
SIZE	SCALE	SHEET	REV.
A3	10:1	1/1	A