

MATERIAL & FINISH:

EIA 1-5/8 CONNECTOR:

- 1 BODY: BRASS, ALBALOY PLATED
- 2 CENTER CONTACT: BRASS, SILVER PLATED
- 3 INSULATOR: PTFE
- 4 FLANGE: BRASS, ALBALOY PLATED

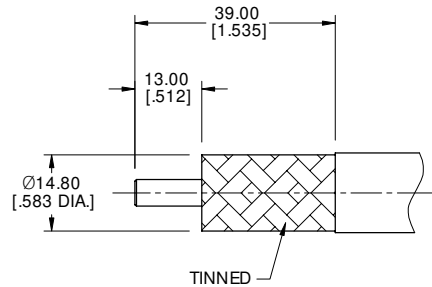
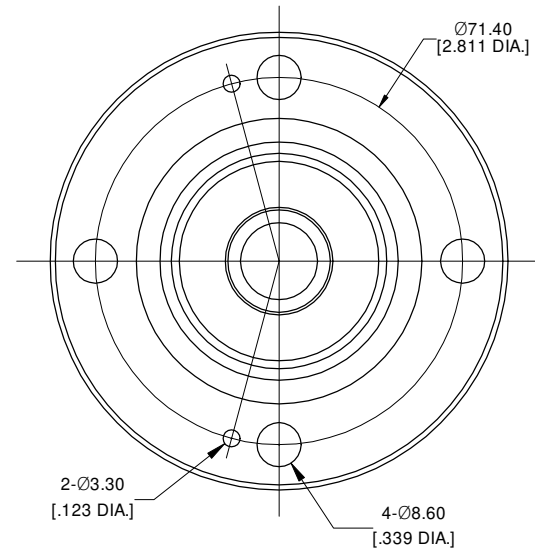
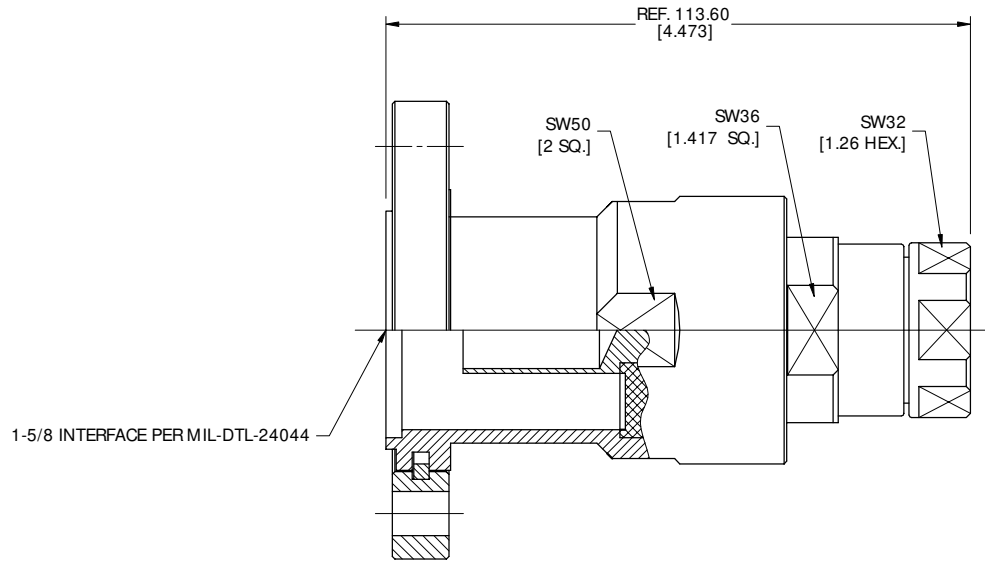
ELECTRICAL DATA:

- 1 IMPEDANCE: 50 Ω
- 2 FREQUENCY RANGE: DC~100MHz

ENVIRONMENTAL DATA:

- 1 TEMPERATURE RANGE: -55°C~+155°C
- 2 2011/65/EU (RoHS) AND 2015/863/(RoHS): COMPLIANT
- 3 1999/45/EC (REACH): COMPLIANT

REVISIONS			
REV.	DESCRIPTION	DATE	APPROVED
A	INITIAL RELEASE	11/24/20	J QU



CABLE STRIPPING DIMENSIONS

DRAWN	X. B. YANG	DATE	11/24/20
CHECKED	W. YANG	DATE	11/24/20
APPROVED	J QU	DATE	11/24/20
UNLESS OTHERWISE SPECIFIED DIMENSIONS ARE IN MILLIMETERS, DIMENSIONS IN [] ARE IN INCHES FOR CUSTOMER REFERENCE ONLY UNLESS OTHERWISE SPECIFIED TOLERANCE ARE:		THESE DRAWINGS AND SPECIFICATIONS ARE THE PROPERTY OF ANOISON ELECTRONICS LTD AND SHOULD NOT BE USED WITHOUT WRITTEN PERMISSION COPYRIGHT © 2020 ANOISON ELECTRONICS LTD	
.XX	±0.13 [.005"]		
.X	±0.20 [.008"]		
X	±0.50 [.019"]		
.X°	±1°		
X°	±2°		



TITLE
1-5/8 MALE SOLDER FOR EP610 CABLE

VIEW
PART NO.
ANO 4111-2018

SIZE	A3	SCALE	1:1	SHEET	1/1	REV.	A
------	----	-------	-----	-------	-----	------	---