

**MATERIAL & FINISH:**

- 1 BODY: BRASS, NICKEL PLATED
- 2 BNC CENTER CONTACT: BRASS, GOLD PLATED
- 3 F CENTER CONTACT: PHOSPHOR BRONZE, SILVER PLATED
- 4 COUPLING NUT: BRASS, NICKEL PLATED
- 5 INSULATOR: PTFE
- 6 GASKET: SILICONE RUBBER

**ELECTRICAL DATA:**

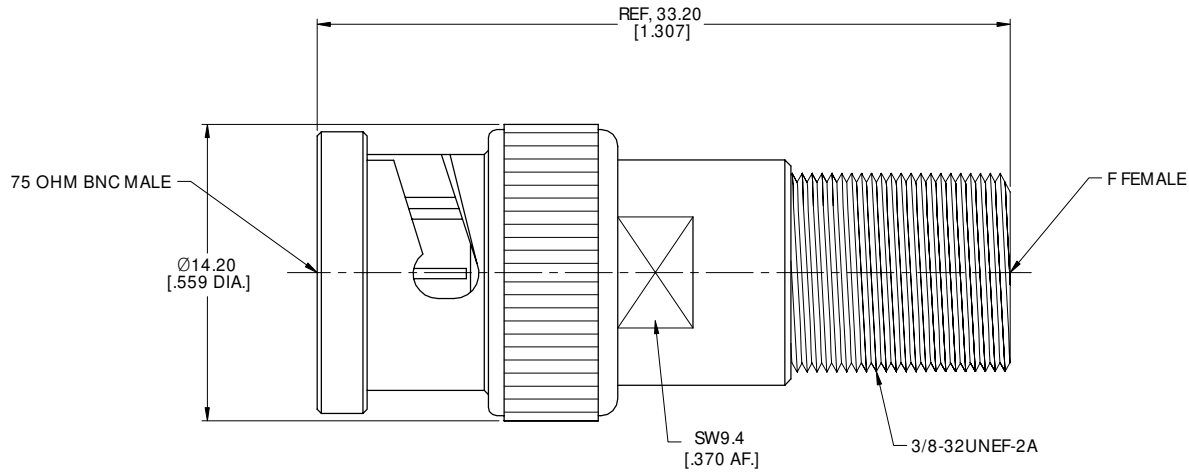
- 1 IMPEDANCE: 75 Ω
- 2 FREQUENCY RANGE: DC~1000 MHz

**ENVIRONMENTAL DATA:**

- 1 TEMPERATURE RANGE: -55°C ~+125°C
- 2 2011/65/EU (RoHS) AND 2015/863/(RoHS): COMPLIANT
- 3 1907/2006/EC (REACH): COMPLIANT

REVISIONS

REV.	DESCRIPTION	DATE	APPROVED
A	INITIAL RELEASE	10/08/21	J QU



DRAWN	X. B. YANG	DATE	10/08/21
CHECKED	W. YANG	DATE	10/08/21
APPROVED	J QU	DATE	10/08/21

UNLESS OTHERWISE SPECIFIED DIMENSIONS ARE IN MILLIMETERS. DIMENSIONS IN [ ] ARE IN INCHES FOR CUSTOMER REFERENCE ONLY UNLESS OTHERWISE SPECIFIED TOLERANCE ARE:

.xx	±0.13 [.005"]
.x	±0.20 [.008"]
x	±0.50 [.019"]
.x°	±1°
x°	±2°

THESE DRAWINGS AND SPECIFICATIONS ARE THE PROPERTY OF ANOISON ELECTRONICS LTD AND SHOULD NOT BE USED WITHOUT WRITTEN PERMISSION COPYRIGHT © 2021 ANOISON ELECTRONICS LTD



TITLE  
ADAPTER, 75 OHMS BNC MALE TO F FEMALE

VIEW



PART NO.

ANO 401-972-1572

SIZE	SCALE	SHEET	REV.
A3	4:1	1/1	A