

4 3 2 1

MATERIAL & FINISH:

- 1 BODY: BRASS, NICKEL PLATED
- 2 CENTER CONTACT: BRASS, GOLD PLATED
- 3 COUPLING NUT: BRASS, NICKEL PLATED
- 4 INSULATOR: PTFE
- 5 GASKET: SILICONE RUBBER
- 6 CRIMP FERRULE: COPPER, NICKEL PLATED

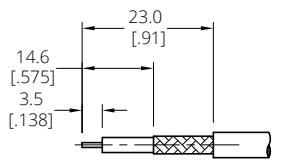
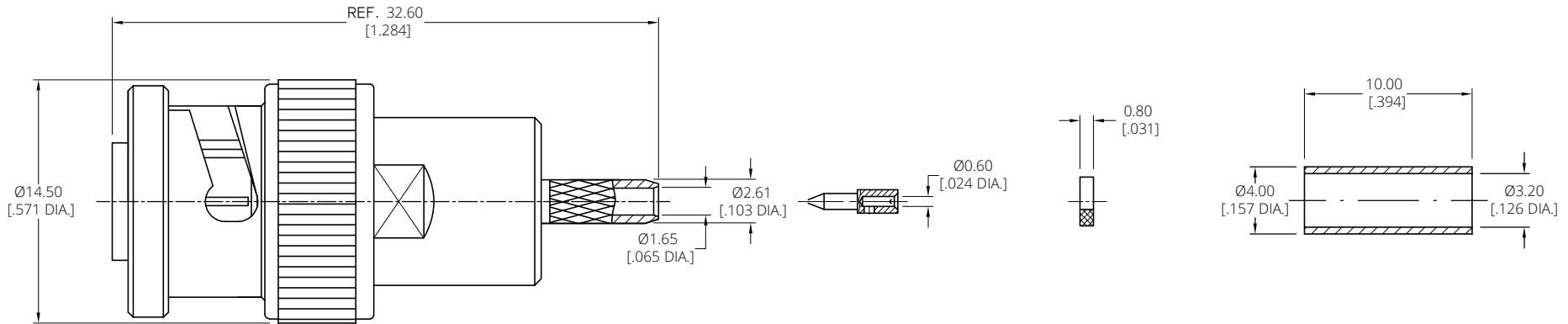
ENVIRONMENTAL DATA:

- 1 TEMPERATURE RANGE: -55°C~+125°C
- 2 2011/65/EU(RoHS) AND 2015/863/(RoHS); COMPLIANT
- 3 1999/2006/EC(REACH); COMPLIANT

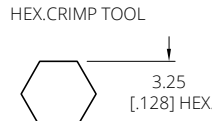
REVISIONS			
REV.	DESCRIPTION	DATE	APPROVED
A	INITIAL RELEASE	03/11/25	J. Q

ELECTRICAL DATA:

- 1 IMPEDANCE: 50 Ω
- 2 FREQUENCY RANGE: DC~500 MHz
- 3 VSWR: 1.30 MAX.



CABLE STRIPPING DIMENSIONS



CRIMP WIDTH: 7.5 [295]

DRAWN	W. Y	DATE	03/11/25
CHECKED	X. Y	DATE	03/11/25
APPROVED	J. Q	DATE	03/11/25
UNLESS OTHERWISE SPECIFIED DIMENSIONS ARE IN MILLIMETERS, DIMENSIONS IN [] ARE IN INCHES FOR CUSTOMER REFERENCE ONLY UNLESS OTHERWISE SPECIFIED TOLERANCE ARE:		THESE DRAWINGS AND SPECIFICATIONS ARE THE PROPERTY OF ANOISON ELECTRONICS LTD AND SHOULD NOT BE USED WITHOUT WRITTEN PERMISSION COPYRIGHT © 2025 ANOISON ELECTRONICS LTD	
XX	±0.13 [005"]		
X	±0.20 [008"]		
x	±0.50 [019"]		
x°	±1°		
x"	±2°		



TITLE
MHV STRAIGHT MALE CRIMP FOR RG316/RG174/RG188 CABLE

VIEW	PART NO. ANO 3911-2005		
	SIZE A3	SCALE 2.5:1	SHEET 1/1
		REV. A	

4 3 2 1