

MATERIAL & FINISH:

- 1 BODY: BRASS, NICKEL PLATED
- 2 CENTER CONTACT: BRASS, GOLD PLATED
- 3 INSULATOR: PTFE
- 4 COUPLING NUT: BRASS, NICKEL PLATED
- 5 GASKET: MVQ(SILICONE RUBBER)
- 6 RETAINING RING: PHOSPHOR BRONZE, NICKEL PLATED
- 7 SOLDER FERRULE: BRASS, GOLD PLATED

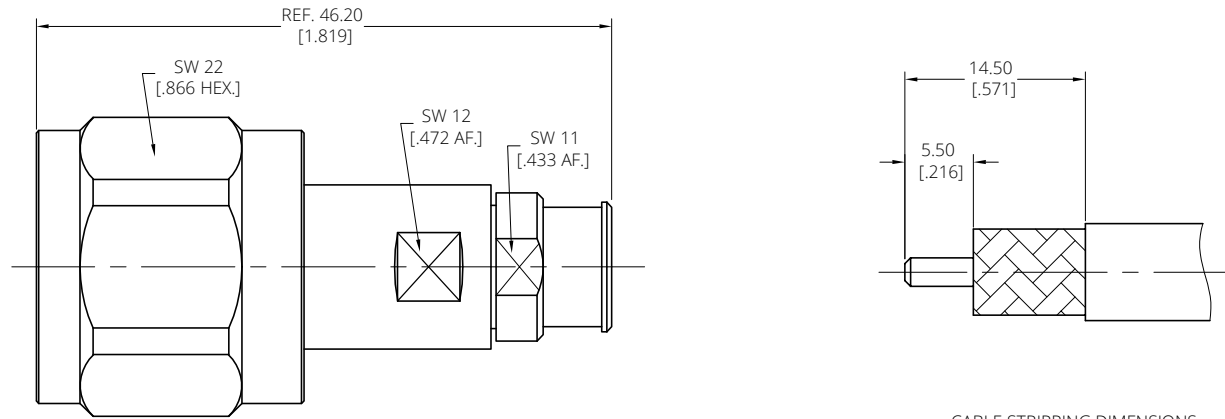
ELECTRICAL DATA:

- 1 IMPEDANCE: 50 Ω
- 2 FREQUENCY RANGE: DC~4 GHz
- 3 VSWR: 1.30 MAX.

ENVIRONMENTAL DATA:

- 1 TEMPERATURE RANGE: -55°C~+125°C
- 2 2011/65/EU(RoHS) AND 2015/863/(RoHS): COMPLIANT
- 3 1999/45/EC(REACH): COMPLIANT

REVISIONS			
REV.	DESCRIPTION	DATE	APPROVED
A	INITIAL RELEASE	07/02/24	J. Q



CABLE STRIPPING DIMENSIONS

DRAWN	W. Y	DATE	07/02/24				
CHECKED	X. Y	DATE	07/02/24				
APPROVED	J. Q	DATE	07/02/24				
UNLESS OTHERWISE SPECIFIED DIMENSIONS ARE IN MILLIMETERS, DIMENSIONS IN [] ARE IN INCHES FOR CUSTOMER REFERENCE ONLY UNLESS OTHERWISE SPECIFIED TOLERANCE ARE:		THESE DRAWINGS AND SPECIFICATIONS ARE THE PROPERTY OF ANOISON ELECTRONICS LTD AND SHOULD NOT BE USED WITHOUT WRITTEN PERMISSION COPYRIGHT © 2024 ANOISON ELECTRONICS LTD					
	XX	±0.13 [005"]	TITLE HN STRAIGHT MALE SOLDER FOR PLEX310 CABLE PART NO. ANO 3711-2010				
	X	±0.20 [008"]					
	X	±0.50 [019"]					
	X°	±1°					
	X°	±2°					
VIEW		SCALE	2.5:1	SHEET	1/1	REV.	A
SIZE	A3						