

4

3

2

1

1.0 MATERIAL & FINISH:

- 1.1 BODY: BRASS, NICKEL PLATED
- 1.2 CENTER CONTACT: BRASS, GOLD PLATED
- 1.3 INSULATOR: PTFE
- 1.4 COUPLING NUT: BRASS, NICKEL PLATED
- 1.5 GASKET: MVQ(SILICONE RUBBER)
- 1.6 RETAINING RING: PHOSPHOR BRONZE, NICKEL PLATED

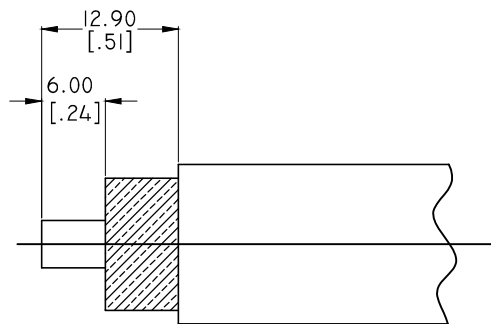
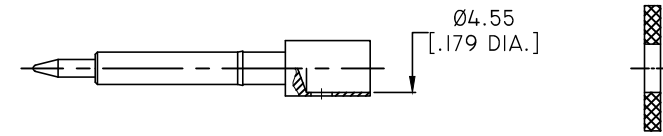
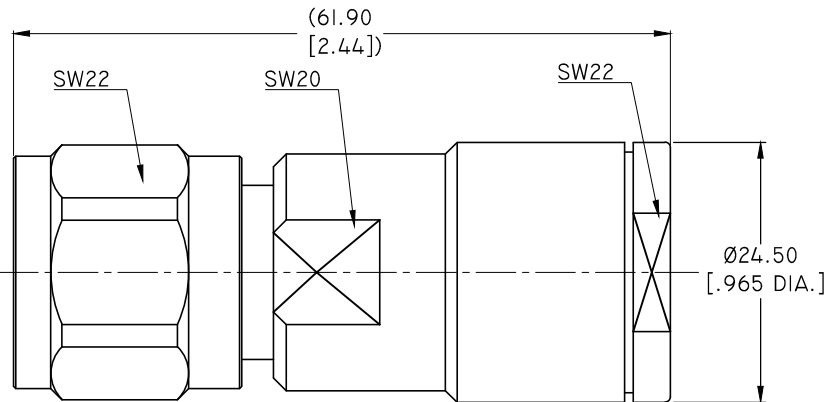
3.0 ELECTRICAL SPECIFICATIONS:

- 3.1 IMPEDANCE: 50 Ω
- 3.2 FREQUENCY RANGE: DC~4GHZ

2.0 ENVIRONMENTAL DATA:

- 2.1 TEMPERATURE RANGE: -55°C~+125°C
- 2.2 2011/65/EU(RoHS) AND 2015/863/(RoHS): COMPLIANT
- 1999/45/EC(REACH): COMPLIANT

REVISIONS			
REV.	DESCRIPTION	DATE	APPROVED
A	INITIAL RELEASE	09/26/18	J. QU



CABLE STRIPPING DIMENSIONS

DRAWN	W. YANG	DATE	09/26/18
CHECKED	X. B. YANG	DATE	09/26/18
APPROVED	J. QU	DATE	09/26/18
UNLESS OTHERWISE SPECIFIED DIMENSIONS ARE IN MILLINETERS, DIMENSIONS IN [] ARE IN INCHES FOR CUSTOMER REFERENCE ONLY UNLESS OTHERWISE SPECIFIED TOLERANCE ARE:		THESE DRAWINGS AND SPECIFICATIONS ARE THE PROPERTY OF ANOISON ELECTRONICS LTD AND SHOULD NOT BE USED WITHOUT WRITTEN PERMISSION COPYRIGHT © 2018 ANOISON ELECTRONICS LTD	
.XX	+0.13 [.005"]		
.X	+0.20 [.008"]		
X	+0.50 [.019"]		
.X°	±1°		
X°	±2°		



TITLE			
HN STRAIGHT MALE CRIMP FOR LMR600			
VIEW		PART NO.	
		ANO 3711-2007	
SIZE	SCALE	SHEET	REV.
A3	2:1	1/1	A

4

3

2

1