

4 3 2 1

MATERIAL & FINISH:

- 1. BODY: BRASS, NICKEL PLATED
- 2. CENTER CONTACT: PHOSPHOR BRONZE, GOLD PLATED
- 4. INSULATOR: PTFE

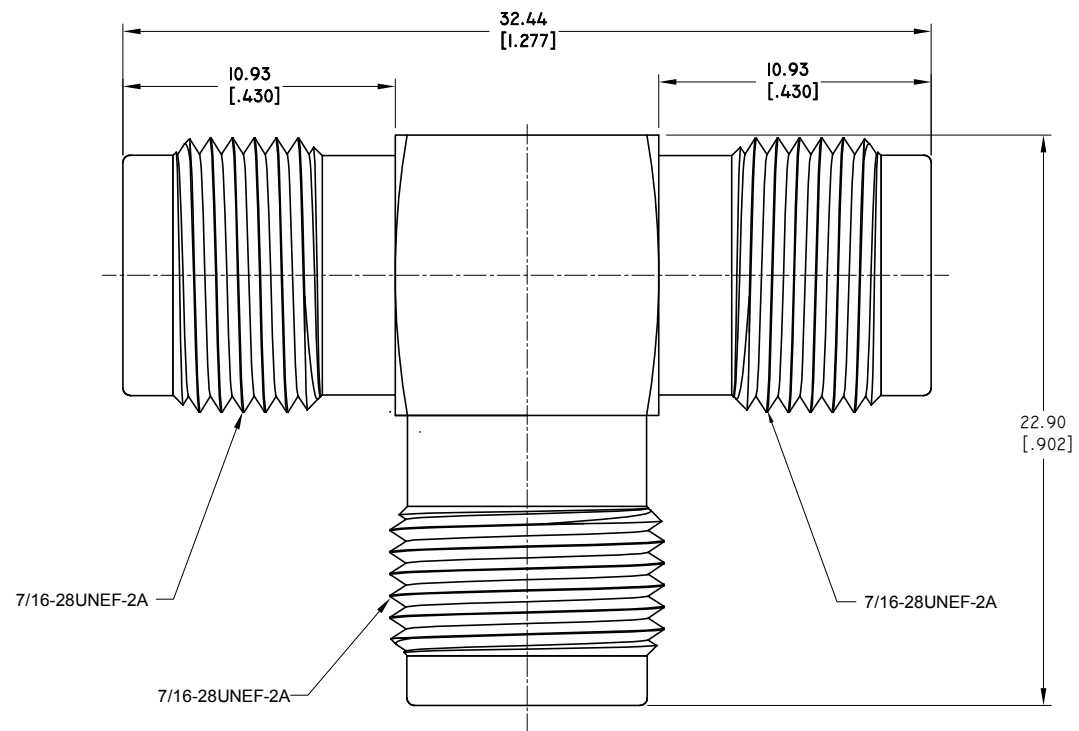
ELECTRICAL DATA:

- 1. IMPEDANCE: 50 Ω
- 2. FREQUENCY RANGE: DC-7 GHz
- 3. INSULATION RESISTANCE: 5000 M Ω MIN.

REVISIONS			
REV.	DESCRIPTION	DATE	APPROVED
A	INITIAL RELEASE	04/14/17	J. QU

ENVIRONMENTAL DATA:

- 1. TEMPERATURE RANGE: -65 °C~+165 °C
- 2. 2011/65/EC (RoHS): COMPLIANT



DRAWN	P. CHEN	DATE	04/14/17
CHECKED	L. YANG	DATE	04/14/17
APPROVED	J. QU	DATE	04/14/17
UNLESS OTHERWISE SPECIFIED DIMENSIONS ARE IN MILLIMETERS, DIMENSIONS IN [] ARE IN INCHES FOR CUSTOMER REFERENCE ONLY UNLESS OTHERWISE SPECIFIED TOLERANCE ARE:		THESE DRAWINGS AND SPECIFICATIONS ARE THE PROPERTY OF ANOISON ELECTRONICS LTD AND SHOULD NOT BE USED WITHOUT WRITTEN PERMISSION COPYRIGHT © 2017 ANOISON ELECTRONICS LTD	
.XX	±0.13 [.005"]		
.X	±0.20 [.008"]		
X	±0.50 [.019"]		
X°	±1°		
X°	±2°		



TITLE			
"T" ADAPTER, TNC TRIPLE FEMALE			
VIEW		PART NO.	
		ANO 332-332-3321	
SIZE	SCALE	SHEET	REV.
A3	5:1	1/1	A

4 3 2 1