

MATERIAL & FINISH:

- 1 BODY: BRASS, NICKEL PLATED
- 2 CENTER CONTACT: PHOSPHOR BRONZE, GOLD PLATED
- 3 INSULATOR: PTFE
- 4 FASTENING NUT: BRASS, NICKEL PLATED
- 5 LOCK WASHER: PHOSPHOR BRONZE, NICKEL PLATED
- 6 O-RING: SILICONE RUBBER

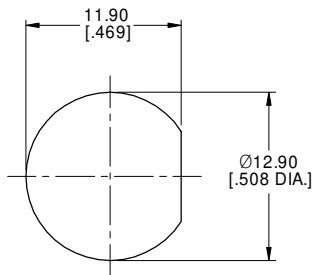
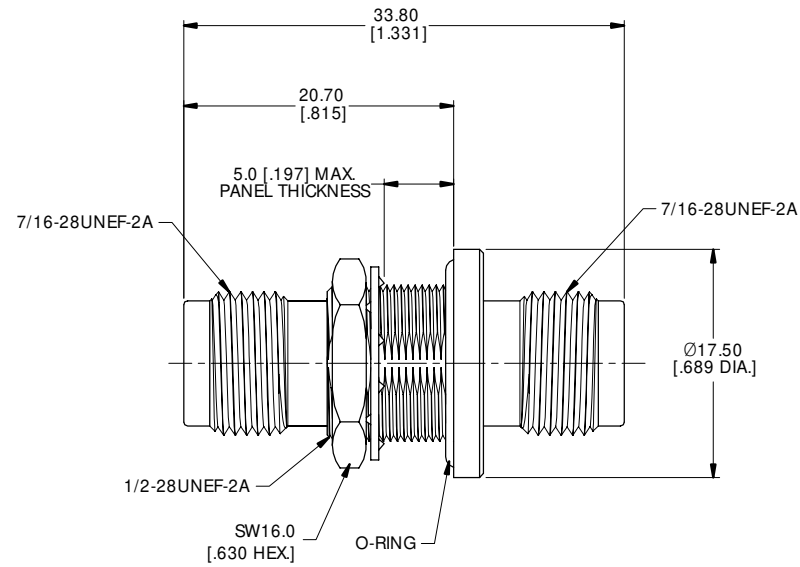
ELECTRICAL DATA:

- 1 IMPEDANCE: 50 Ω
- 2 FREQUENCY RANGE: DC~8 GHz
- 3 VSWR: 1.20 MAX.

ENVIRONMENTAL DATA:

- 1 TEMPERATURE RANGE: -55°C~+125°C
- 2 2011/65/EU(RoHS) AND 2015/863/(RoHS): COMPLIANT
- 3 1907/2006/EC(REACH): COMPLIANT

REVISIONS			
REV.	DESCRIPTION	DATE	APPROVED
A	INITIAL RELEASE	12/29/20	J QU



DRAWN	X. B. YANG	DATE	12/29/20
CHECKED	W. YANG	DATE	12/29/20
APPROVED	J QU	DATE	12/29/20

UNLESS OTHERWISE SPECIFIED DIMENSIONS ARE IN MILLIMETERS. DIMENSIONS IN [] ARE IN INCHES FOR CUSTOMER REFERENCE ONLY UNLESS OTHERWISE SPECIFIED TOLERANCE ARE:

.xx	±0.13 [.005"]
.x	±0.20 [.008"]
X	±0.50 [.019"]
.x°	±1°
x°	±2°

THESE DRAWINGS AND SPECIFICATIONS ARE THE PROPERTY OF ANOISON ELECTRONICS LTD AND SHOULD NOT BE USED WITHOUT WRITTEN PERMISSION COPYRIGHT © 2020 ANOISON ELECTRONICS LTD



TITLE
ADAPTER, TNC BULKHEAD WATERPROOF FEMALE TO TNC FEMALE

VIEW



PART NO.

ANO 332-332-1557

SIZE
A3

SCALE
2.5:1

SHEET
1/1

REV.
A