

MATERIAL & FINISH:

- 1 BODY: BRASS, NICKEL PLATED
- 2 CENTER CONTACT: PHOSPHOR BRONZE, GOLD PLATED
- 3 INSULATOR: PTFE

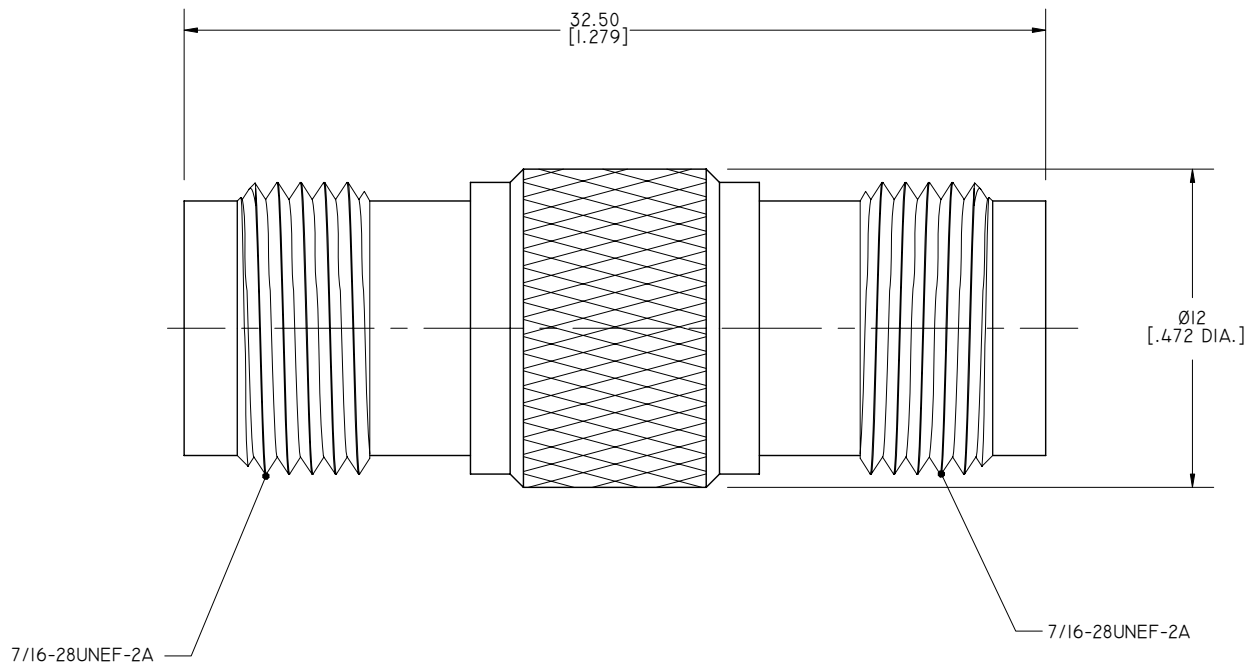
ENVIRONMENTAL DATA:

- 1 TEMPERATURE RANGE: -55°C~+125°C
- 2 2011/65/EU (RoHS): COMPLIANT

ELECTRICAL DATA:

- 1 IMPEDANCE: 50 Ω
- 2 FREQUENCY RANGE: DC~11 GHz
- 3 VSWR: ≤1.25 AT DC~3 GHz  
≤1.35 AT 3~6 GHz
- 4 WITHSTANDING VOLTAGE: 1500 VRMS MIN.

REVISIONS			
REV.	DESCRIPTION	DATE	APPROVED
A	INITIAL RELEASE	11/17/15	J. QU



DRAWN	P. CHEN	DATE	11/17/15
CHECKED	L. YANG	DATE	11/17/15
APPROVED	J. QU	DATE	11/17/15
UNLESS OTHERWISE SPECIFIED DIMENSIONS ARE IN MILLIMETERS, DIMENSIONS IN [ ] ARE IN INCHES FOR CUSTOMER REFERENCE ONLY UNLESS OTHERWISE SPECIFIED TOLERANCE ARE:		THESE DRAWINGS AND SPECIFICATIONS ARE THE PROPERTY OF ANOISON ELECTRONICS LTD AND SHOULD NOT BE USED WITHOUT WRITTEN PERMISSION COPYRIGHT © 2015 ANOISON ELECTRONICS LTD	
.XX	±0.13 [ .005"		
.X	±0.20 [ .008"		
X	±0.50 [ .019"		
.X°	±1°		
X°	±2°		



TITLE			
ADAPTER, TNC FEMALE TO TNC FEMALE			
VIEW		PART NO.	
		ANO 332-332-1354	
SIZE	SCALE	SHEET	REV.
A3	5:1	1/1	A