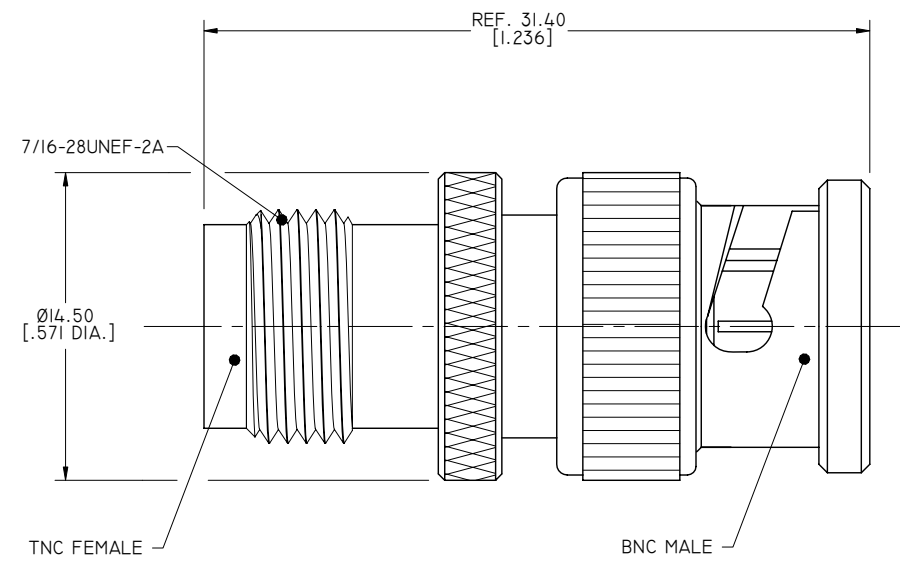


1.0 MATERIAL & FINISH:
 1.1 BODY: BRASS, NICKEL PLATED
 1.2 CENTER CONTACT: PHOSPHOR BRONZE, GOLD PLATED
 1.3 INSULATOR: PTFE
 1.4 COUPLING NUT: BRASS, NICKEL PLATED
 1.5 GASKET: SILICONE RUBBER

2.0 ENVIRONMENTAL DATA:
 2.1 TEMPERATURE RANGE: -55°C~+125°C
 2.2 2011/65/EU (RoHS): COMPLIANT

3.0 ELECTRICAL DATA:
 3.1 IMPEDANCE: 50 Ω
 3.2 FREQUENCY RANGE: DC~4GHZ
 3.3 VSWR: 1.30 MAX.

REVISIONS			
REV.	DESCRIPTION	DATE	APPROVED
A	INITIAL RELEASE	11/22/15	J. QU



DRAWN	L. YANG	DATE	11/22/15
CHECKED	X. B. YANG	DATE	11/22/15
APPROVED	J. QU	DATE	11/22/15
UNLESS OTHERWISE SPECIFIED DIMENSIONS ARE IN MILLIMETERS, DIMENSIONS IN [] ARE IN INCHES FOR CUSTOMER REFERENCE ONLY UNLESS OTHERWISE SPECIFIED TOLERANCE ARE:		THESE DRAWINGS AND SPECIFICATIONS ARE THE PROPERTY OF ANOISON ELECTRONICS LTD AND SHOULD NOT BE USED WITHOUT WRITTEN PERMISSION COPYRIGHT © 2015 ANOISON ELECTRONICS LTD	
.XX	±0.13 [0.005"]		
.X	±0.20 [0.008"]		
X	±0.50 [0.019"]		
.X°	±1°		
X°	±2°		



TITLE			
ADAPTER, TNC FEMALE TO BNC MALE			
VIEW		PART NO.	
		ANO 332-311-1355	
SIZE	SCALE	SHEET	REV.
A3	4:1	1/1	A