

**MATERIAL & FINISH:**

- 1 BODY: STAINLESS STEEL, PASSIVATED
- 2 CENTER CONTACT: BERYLLIUM COPPER ALLOY, GOLD PLATED
- 3 NUT: STAINLESS STEEL, PASSIVATED
- 4 LOCK WASHER: STAINLESS STEEL, PASSIVATED
- 5 INSULATOR: PTFE
- 6 O-RING: SILICONE RUBBER

**ELECTRICAL DATA:**

- 1 IMPEDANCE: 50 Ω
- 2 FREQUENCY RANGE: DC~18 GHz
- 3 VSWR: 1.35 MAX.
- 4 INSERTION LOSS: 0.25 dB MAX.

**MECHANICAL DATA:**

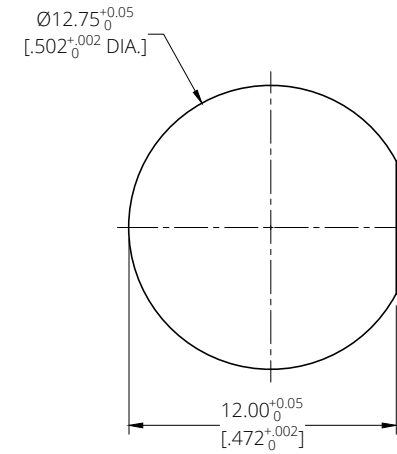
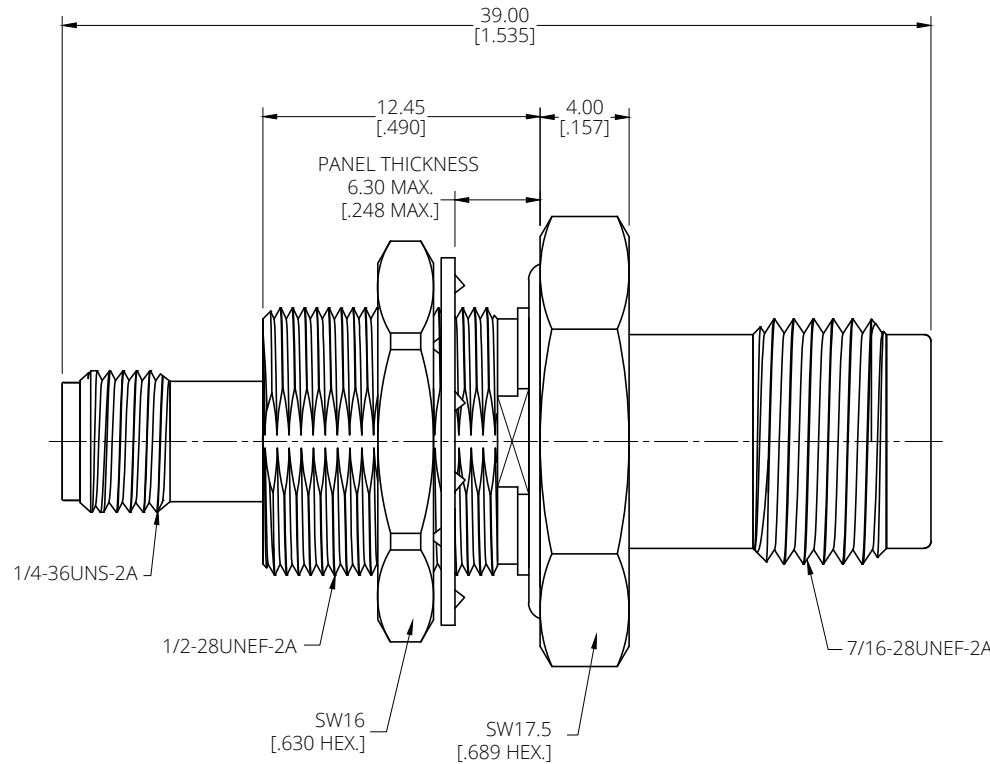
- 1 HERMETICITY: 1X10<sup>-8</sup>CC/SEC AT ONE ATMOSPHERE
- 2 RECOMMENDED TORQUE: SMA(F) 0.9 NM.

**ENVIRONMENTAL DATA:**

- 1 TEMPERATURE RANGE: -55°C~+125°C
- 2 2011/65/EU(RoHS) AND 2015/863/(RoHS): COMPLIANT
- 3 999/45/EC(REACH): COMPLIANT

**REVISIONS**

REV.	DESCRIPTION	DATE	APPROVED
A	INITIAL RELEASE	11/20/25	J. Q



RECOMMENDED MOUNTING HOLE

DRAWN	Y. H	DATE	11/20/25
CHECKED	X. Y	DATE	11/20/25
APPROVED	J. Q	DATE	11/20/25
UNLESS OTHERWISE SPECIFIED DIMENSIONS ARE IN MILLIMETERS, DIMENSIONS IN [ ] ARE IN INCHES FOR CUSTOMER REFERENCE ONLY UNLESS OTHERWISE SPECIFIED TOLERANCE ARE:		THESE DRAWINGS AND SPECIFICATIONS ARE THE PROPERTY OF ANOISON ELECTRONICS LTD AND SHOULD NOT BE USED WITHOUT WRITTEN PERMISSION COPYRIGHT © 2025 ANOISON ELECTRONICS LTD	
	.XX	±0.13 [.005"]	
	.X	±0.20 [.008"]	
	X	±0.50 [.019"]	
	.X°	±1°	
	X°	±2°	



TITLE			
ADAPTER, SMA BULKHEAD FEMALE TO TNC FEMALE			
VIEW	PART NO.		
	ANO 212-332-1732		
SIZE	SCALE	SHEET	REV.
A3	4:1	1/1	A