

MATERIAL & FINISH:

- 1 BODY: SEE TABLE
- 2 CENTER CONTACT: BERYLLIUM COPPER ALLOY, GOLD PLATED
- 3 NUT: SEE TABLE
- 4 LOCK WASHER: SEE TABLE
- 4 INSULATOR: PTFE
- 5 O-RING: SILICONE RUBBER

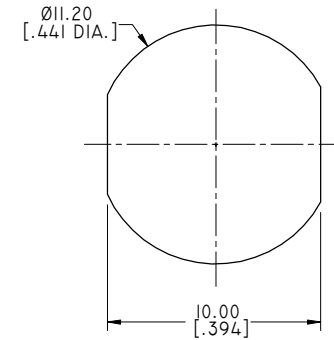
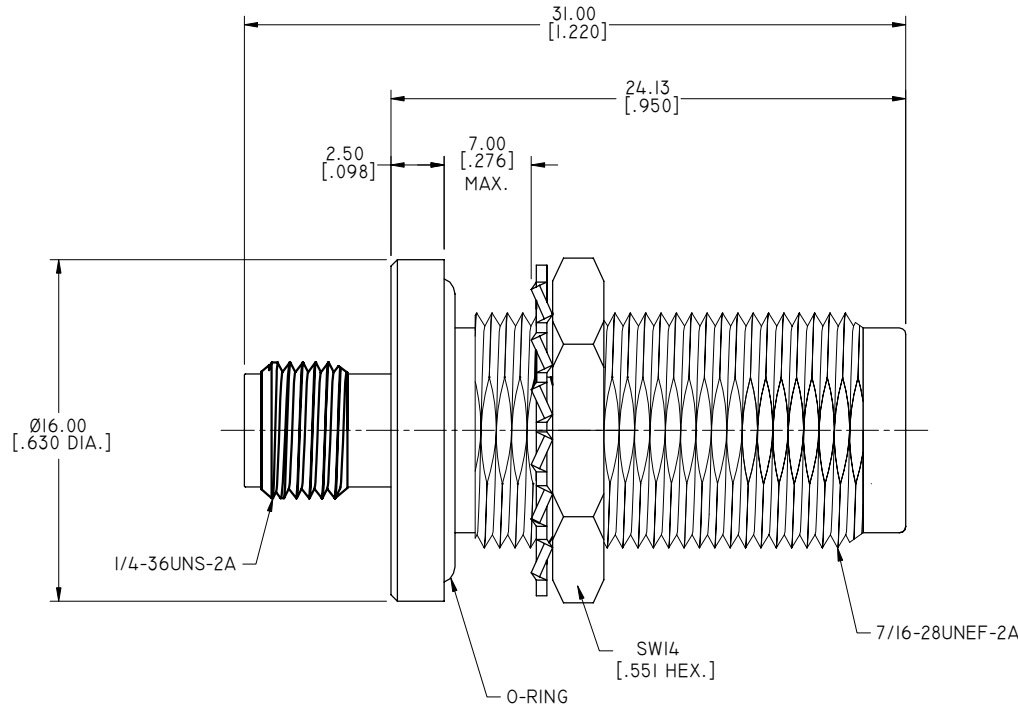
ELECTRICAL DATA:

- 1 IMPEDANCE: 50 Ω
- 2 FREQUENCY RANGE: DC-18 GHz
- 3 VSWR: 1.30 MAX.

ENVIRONMENTAL DATA:

- 1 TEMPERATURE RANGE: -55 °C~+125 °C
- 2 2011/65/EU(RoHS) AND 2015/863/(RoHS): COMPLIANT
- 3 1999/45/EC(REACH): COMPLIANT
- 4 IP RATING (INTERFACE, MATED) IP67

REVISIONS			
REV.	DESCRIPTION	DATE	APPROVED
A	INITIAL RELEASE	04/19/17	J. QU
B	1. 2015/863/(RoHS): COMPLIANT ADDED 2. 1999/45/EC(REACH): COMPLIANT ADDED 3. IP RATING (INTERFACE, MATED) IP67 ADDED	12/19/18	J. QU
C	Ø11.20 [.441 DIA.] WS Ø11.20 [.114 DIA.]	01/16/25	J. QU



RECOMMENDED MOUNTING HOLE

TABLE

PART NO.	PART	MATERIAL	FINISH
ANO 332-212-I402-1	BODY/NUT/LOCK WASHER	STAINLESS STEEL	PASSIVATED
ANO 332-212-I402-2		BRASS	NICKEL

DRAWN	X. B. YANG	DATE	01/16/25
CHECKED	W. YANG	DATE	01/16/25
APPROVED	J. QU	DATE	01/16/25
UNLESS OTHERWISE SPECIFIED DIMENSIONS ARE IN MILLIMETERS, DIMENSIONS IN [] ARE IN INCHES FOR CUSTOMER REFERENCE ONLY UNLESS OTHERWISE SPECIFIED TOLERANCE ARE:		THESE DRAWINGS AND SPECIFICATIONS ARE THE PROPERTY OF ANOISON ELECTRONICS LTD AND SHOULD NOT BE USED WITHOUT WRITTEN PERMISSION COPYRIGHT © 2025 ANOISON ELECTRONICS LTD	
.XX	±0.13 [.005"]		
.X	±0.20 [.008"]		
X	±0.50 [.019"]		
.X°	±1°		
X°	±2°		



TITLE
ADAPTER, TNC BULKHEAD WATERPROOF FEMALE TO SMA FEMALE

VIEW	PART NO. ANO 332-212-I402			
	SIZE A3	SCALE 4:1	SHEET 1/1	REV. C