

4

3

2

1

MATERIAL & FINISH:

- 1 BODY: BRASS, ALBALOY PLATED
- 2 CENTER CONTACT: BERYLLIUM COPPER ALLOY, GOLD 0.1 μm OVER NICKEL 2μm PLATED
- 3 COUPLING NUT: BRASS, ALBALOY PLATED
- 4 INSULATOR: PTFE
- 5 GASKET: SILICONE RUBBER

ENVIRONMENTAL DATA:

- 1 TEMPERATURE RANGE: -55°C~+125°C
- 2 2011/65/EU(RoHS) AND 2015/863/(RoHS): COMPLIANT
- 3 1907/2006/EC(REACH): COMPLIANT

ELECTRICAL DATA:

- 1 IMPEDANCE: 50 Ω
- 2 FREQUENCY RANGE: DC~6 GHZ

REVISIONS

| REV. | DESCRIPTION | DATE | APPROVED |
|------|-----------------|----------|----------|
| A | INITIAL RELEASE | 03/20/24 | J Q |

D

D

C

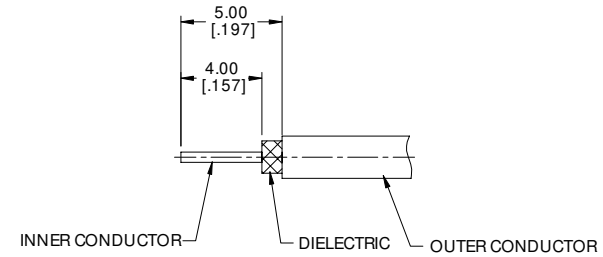
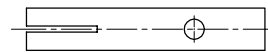
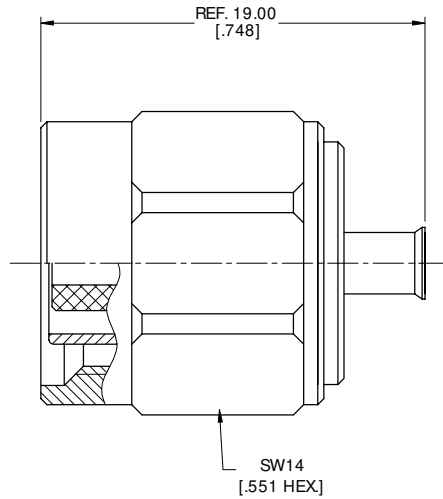
C

B

B

A

A



CABLE STRIPPING DIMENSIONS

| | | | | | |
|---|------|--|----------|----------|--|
| DRAWN | X. Y | DATE | 03/20/24 | | |
| CHECKED | W. Y | DATE | 03/20/24 | | |
| APPROVED | J Q | DATE | 03/20/24 | | |
| UNLESS OTHERWISE SPECIFIED DIMENSIONS ARE IN MILLIMETERS, DIMENSIONS IN [] ARE IN INCHES FOR CUSTOMER REFERENCE ONLY UNLESS OTHERWISE SPECIFIED TOLERANCE ARE: | | THESE DRAWINGS AND SPECIFICATIONS ARE THE PROPERTY OF ANOISON ELECTRONICS LTD AND SHOULD NOT BE USED WITHOUT WRITTEN PERMISSION COPYRIGHT © 2024 ANOISON ELECTRONICS LTD | | TITLE | RP TNC STRAIGHT MALE SOLDER FOR .086 CABLE |
| .XX ±0.13 [.005"] X ±0.20 [.008"] X ±0.50 [.019"] X° ±1° X° ±2° | | | | VIEW | |
| | | | | PART NO. | ANO 3313-2148 |
| | | | | SIZE | A3 |
| | | | | SCALE | 8:1 |
| | | | | SHEET | 1/1 |
| | | | | REV. | A |

4

3

2

1