

MATERIAL & FINISH:

- 1 BODY: STAINLESS STEEL, PASSIVATED
- 2 CENTER CONTACT: BERYLLIUM COPPER ALLOY, GOLD PLATED
- 3 INSULATOR: PTFE

ELECTRICAL DATA:

- 1 IMPEDANCE: 50 Ω
- 2 FREQUENCY RANGE: DC-5 GHz
- 3 VSWR: 1.10 + 0.01 X F(GHZ) MAX.
- 4 INSERTION LOSS: .05 X √F(GHZ) MAX.
- 5 RF LEAKAGE: -(100-F(GHZ)) DB MAX.

MECHANICAL DATA:

- 1 TORQUE: 2.8 N.CM MIN.
- 2 MATING LIFE: 500 CYCLE MIN.

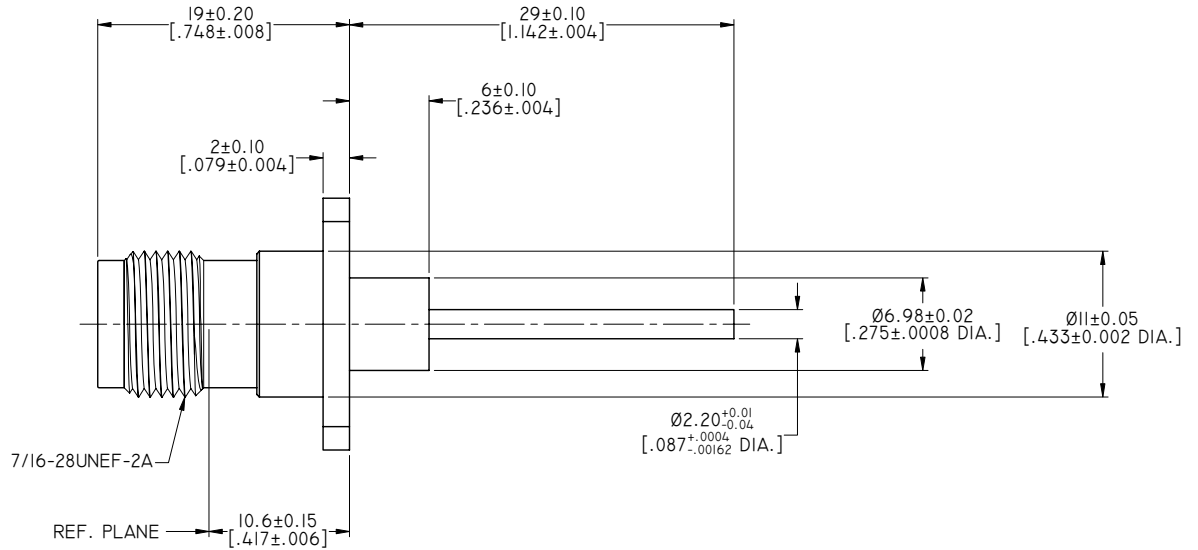
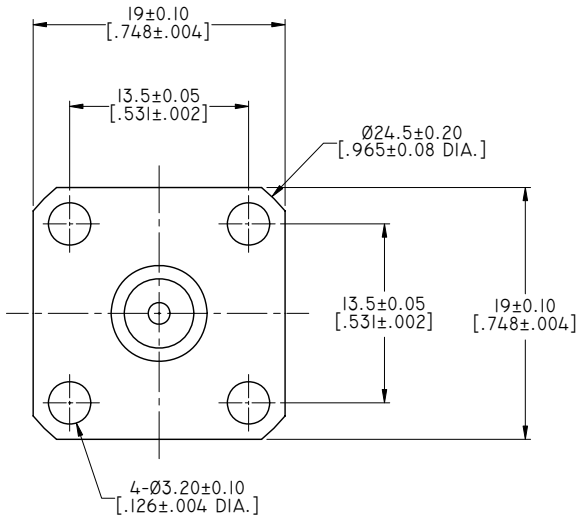
HIGH POWER DATA:

- 1 AVERAGE POWER RATING: 250 W CW @ 2.5 GHz AT 70°C BASE PLATE AND IN VACUUM WITH

ENVIRONMENTAL DATA:

- 1 TEMPERATURE RANGE: -65°C~+165°C
- 2 2011/65/EU(RoHS) AND 2015/863/(RoHS): COMPLIANT
- 3 1907/2006/EC(REACH) AND 1999/45/EC(REACH): COMPLIANT

REVISIONS			
REV.	DESCRIPTION	DATE	APPROVED
A	INITIAL RELEASE	03/20/19	J. QU



DRAWN	X. B. YANG	DATE	03/20/19
CHECKED	W. YANG	DATE	03/20/19
APPROVED	J. QU	DATE	03/20/19
UNLESS OTHERWISE SPECIFIED DIMENSIONS ARE IN MILLIMETERS. DIMENSIONS IN [] ARE IN INCHES FOR CUSTOMER REFERENCE ONLY UNLESS OTHERWISE SPECIFIED TOLERANCE ARE:		THESE DRAWINGS AND SPECIFICATIONS ARE THE PROPERTY OF ANOISON ELECTRONICS LTD AND SHOULD NOT BE USED WITHOUT WRITTEN PERMISSION COPYRIGHT © 2019 ANOISON ELECTRONICS LTD	
.XX	±0.08 [.003"]		
.X	±0.20 [.008"]		
X	±0.50 [.019"]		
.X°	±1°		
X°	±2°		



TITLE			
HIGH POWER TNC STRAIGHT FEMALE 4 HOLE .748 SQ. FLANGE MOUNT			
VIEW		PART NO.	
		ANO 3312-3090	
SIZE	SCALE	SHEET	REV.
A3	2.5:1	1/1	A