

MATERIAL & FINISH:

- 1 BODY: BRASS, NICKEL PLATED
- 2 CENTER CONTACT: PHOSPHOR BRONZE, GOLD PLATED
- 3 INSULATOR: PTFE

ENVIRONMENTAL DATA:

- 1 TEMPERATURE RANGE: -40°C~+85°C
- 2 2011/65/EU (RoHS): COMPLIANT

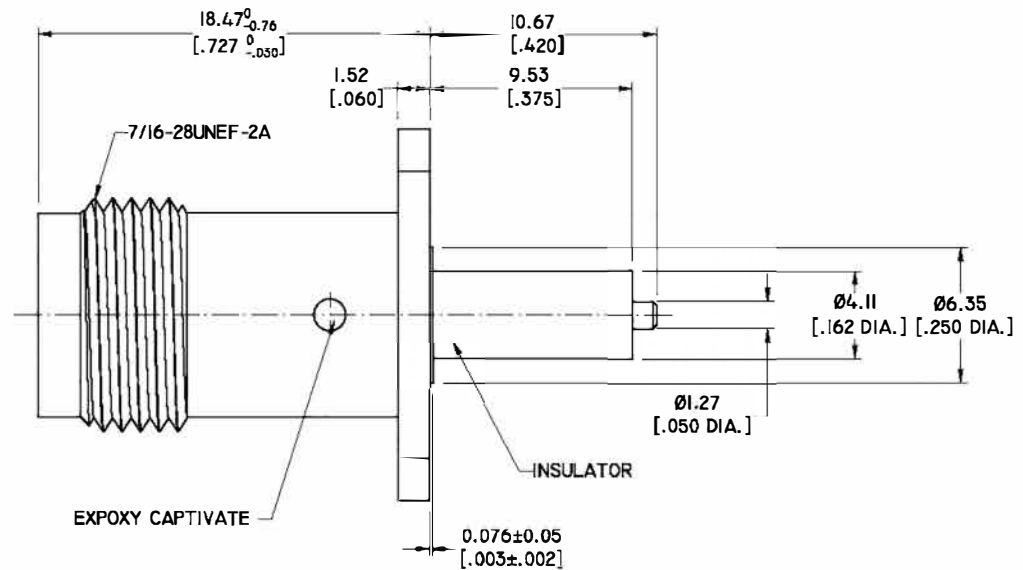
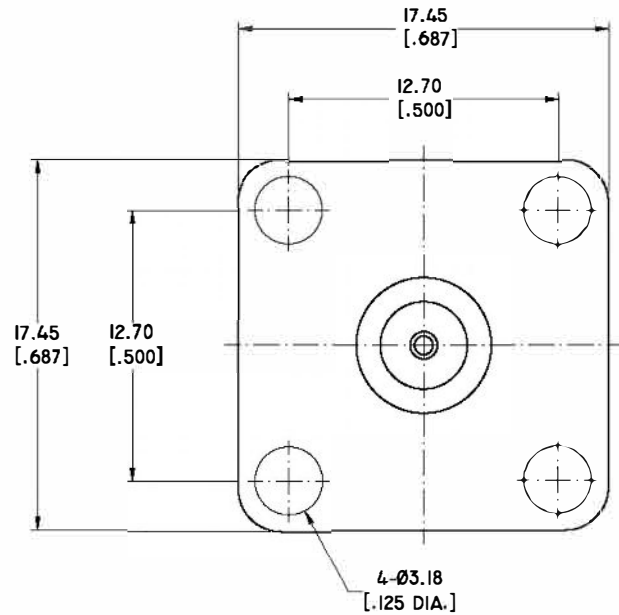
ELECTRICAL DATA:

- 1 IMPEDANCE: 50 Ω
- 2 FREQUENCY RANGE: DC-II GHZ

MECHANICAL DATA:

- 1 MECHANICAL DURABILITY: 500 CYCLES MIN.
- 2 CENTER RETENTION FORCE:
AXIAL FORCE 26.7 N [6 LBS] MIN.

REVISIONS			
REV.	DESCRIPTION	DATE	APPROVED
A	INITIAL RELEASE	07/31/18	J. QU



DRAWN	W. YANG	DATE	07/31/18
CHECKED	X. B. YANG	DATE	07/31/18
APPROVED	J. QU	DATE	07/31/18
UNLESS OTHERWISE SPECIFIED DIMENSIONS ARE IN MILLIMETERS. DIMENSIONS IN [] ARE IN INCHES FOR CUSTOMER REFERENCE ONLY UNLESS OTHERWISE SPECIFIED TOLERANCE ARE:		THESE DRAWINGS AND SPECIFICATIONS ARE THE PROPERTY OF ANOISON ELECTRONICS LTD AND SHOULD NOT BE USED WITHOUT WRITTEN PERMISSION COPYRIGHT © 2018 ANOISON ELECTRONICS LTD	
.XX	±0.13 [0.005"]		
.X	±0.20 [0.008"]		
X	±0.50 [0.019"]		
.X°	±1°		
X°	±2°		



TITLE			
TNC STRAIGHT FEMALE, .687 INCH SQUARE 4 HOLE FLANGE RECEPTACLE			
VIEW		PART NO.	
		ANO 3312-3084	
SIZE	SCALE	SHEET	REV.
A3	4:1	1/1	A