

4

5

2

1

MATERIAL & FINISH:

- 1 BODY: BRASS, ALBALOY PLATED
- 2 CENTER CONTACT: PHOSPHOR BRONZE, GOLD PLATED
- 3 INSULATOR: PTFE

ENVIRONMENTAL DATA:

- 1 TEMPERATURE RANGE: -65°C~+165°C
- 2 2011/65/EU(RoHS) AND 2015/863/(RoHS): COMPLIANT
- 3 REACH SVHC247: COMPLIANT

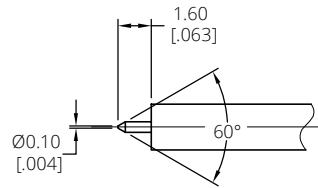
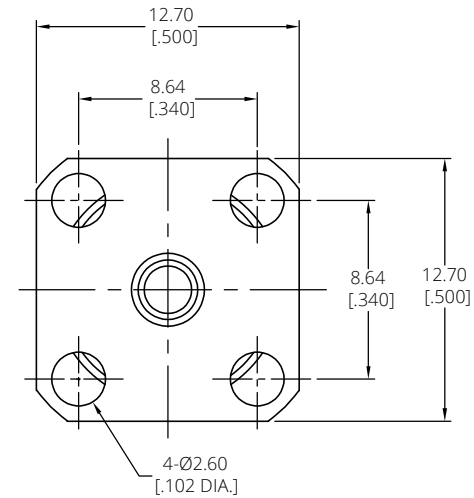
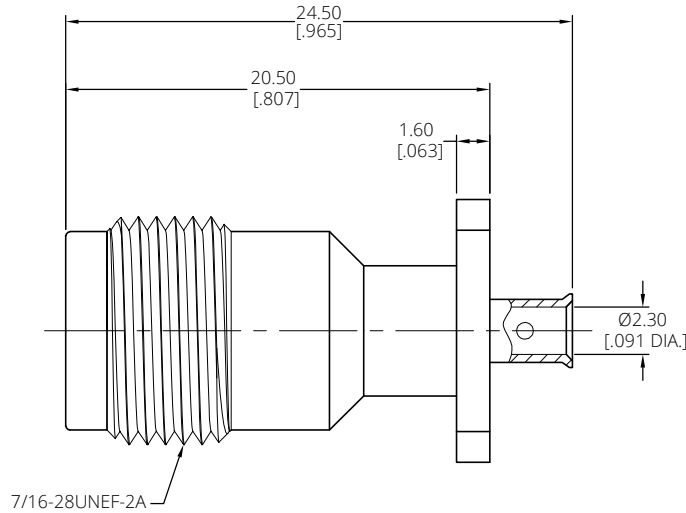
ELECTRICAL DATA:

- 1 IMPEDANCE: 50 Ω
- 2 FREQUENCY RANGE: DC~11 GHz
- 3 VSWR: 1.30 MAX.
- 4 DIELECTRIC WITHSTANDING VOLTAGE: 1500 VRMS MIN.

MECHANICAL DATA:

- 1 MATING LIFE: 500 CYCLES MIN.

REVISIONS			
REV.	DESCRIPTION	DATE	APPROVED
A	INITIAL RELEASE	06/04/25	J. Q
B	1. VSWR ADDED 2. 24.50 [.965] WAS 23.50 [.925] 3. 20.50 [.807] WAS 20.00 [.787] 4. CABLE STRIPPING DIMENSIONS CHANGED	06/05/25	J. Q



CABLE STRIPPING DIMENSIONS

DRAWN	X. Y	DATE	06/05/25			
CHECKED	W. Y	DATE	06/05/25			
APPROVED	J. Q	DATE	06/05/25			
UNLESS OTHERWISE SPECIFIED DIMENSIONS ARE IN MILLIMETERS, DIMENSIONS IN [ ] ARE IN INCHES FOR CUSTOMER REFERENCE ONLY UNLESS OTHERWISE SPECIFIED TOLERANCE ARE:		THESE DRAWINGS AND SPECIFICATIONS ARE THE PROPERTY OF ANOISON ELECTRONICS LTD AND SHOULD NOT BE USED WITHOUT WRITTEN PERMISSION COPYRIGHT © 2025 ANOISON ELECTRONICS LTD				
.XX ±0.13 [.005"]						
.X ±0.20 [.008"]						
X ±0.50 [.019"]						
.X° ±1°						
X° ±2°						
TITLE		TNC STRAIGHT FEMALE 4 HOLE .500 FLANGE MOUNT .340 INCH HOLE SPACING SOLDER DIRECT FOR .086 CABLE, CAPTIVATED CONTACT				
VIEW		PART NO. ANO 3312-2160				
SIZE A3		SCALE 4:1	SHEET 1/1	REV. B		

4

3

2

1