

4

3

2

1

**MATERIAL & FINISH:**

- 1 BODY: BRASS, ALBALOY PLATED
- 2 CENTER CONTACT: PHOSPHOR BRONZE, GOLD PLATED
- 3 INSULATOR: PTFE
- 4 FASTENING NUT: BRASS, ALBALOY PLATED
- 5 LOCK WASHER: PHOSPHOR BRONZE, ALBALOY PLATED
- 6 O-RING: SILICONE RUBBER

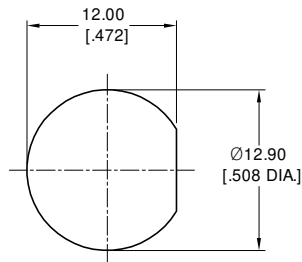
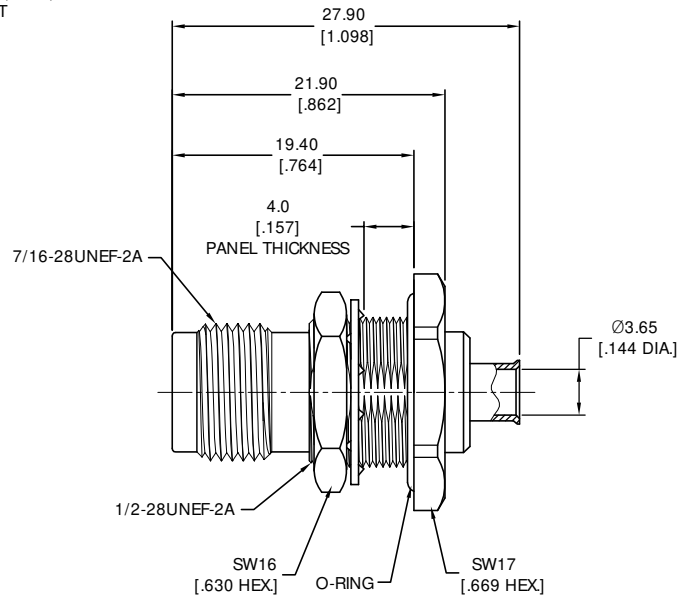
**ELECTRICAL DATA:**

- 1 IMPEDANCE: 50 Ω
- 2 FREQUENCY RANGE: DC~10 GHz
- 3 VSWR: 1.25 MAX.

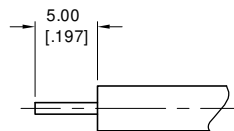
**ENVIRONMENTAL DATA:**

- 1 TEMPERATURE RANGE: -55 °C~+125 °C
- 2 2011/65/EU(RoHS) AND 2015/863/(RoHS): COMPLIANT
- 3 1907/2006/EC(REACH): COMPLIANT
- 4 PANEL LEAKAGE: IP67

REVISIONS			
REV.	DESCRIPTION	DATE	APPROVED
A	INITIAL RELEASE	12/08/20	J QU



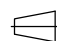

RECOMMENDED MOUNTING HOLE



CABLE STRIPPING DIMENSIONS

DRAWN	X. B. YANG	DATE	12/08/20
CHECKED	W. YANG	DATE	12/08/20
APPROVED	J QU	DATE	12/08/20
UNLESS OTHERWISE SPECIFIED DIMENSIONS ARE IN MILLIMETERS, DIMENSIONS IN [ ] ARE IN INCHES FOR CUSTOMER REFERENCE ONLY UNLESS OTHERWISE SPECIFIED TOLERANCE ARE:		THESE DRAWINGS AND SPECIFICATIONS ARE THE PROPERTY OF ANOISON ELECTRONICS LTD AND SHOULD NOT BE USED WITHOUT WRITTEN PERMISSION COPYRIGHT © 2020 ANOISON ELECTRONICS LTD	
.XX	±0.13 [.005"]		
.X	±0.20 [.008"]		
X	±0.50 [.019"]		
.X°	±1°		
X°	±2°		



TITLE			
TNC STRAIGHT BULKHEAD WATERPROOF FEMALE SOLDER FOR .141 CABLE			
VIEW	PART NO.		
 	ANO 3312-1101		
SIZE	SCALE	SHEET	REV.
A3	5:1	1/1	A

4

3

2

1