

MATERIAL & FINISH:

- 1 BODY: BRASS, NICKEL PLATED
- 2 CENTER CONTACT: PHOSPHOR BRONZE, GOLD PLATED
- 3 INSULATOR: PTFE
- 4 CRIMP FERRULE: COPPER, NICKEL PLATED
- 5 WASHER: PHOSPHOR BRONZE, NICKEL PLATED
- 6 FASTENING NUT: BRASS, NICKEL PLATED

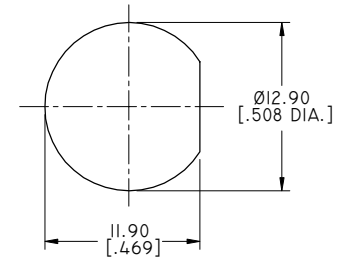
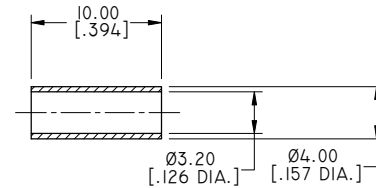
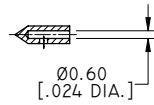
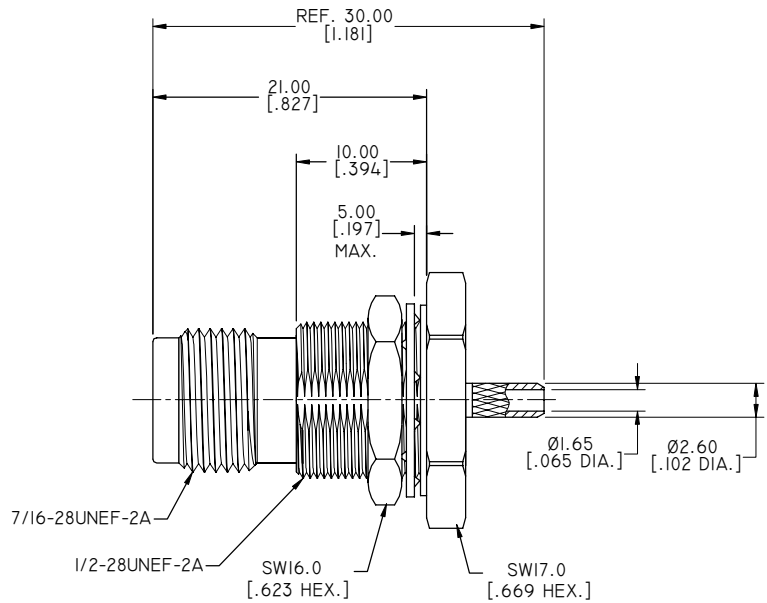
ENVIRONMENTAL DATA:

- 1 TEMPERATURE RANGE: -55°C~+125°C
- 2 2011/65/EU(RoHS) AND 2015/863/(RoHS): COMPLIANT
- 3 1907/2006/EC(REACH): COMPLIANT

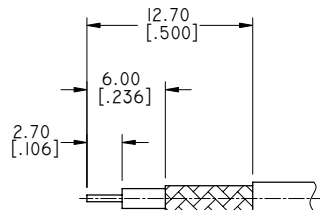
ELECTRICAL DATA:

- 1 IMPEDANCE: 50 Ω
- 2 FREQUENCY RANGE: DC~6 GHZ

REVISIONS			
REV.	DESCRIPTION	DATE	APPROVED
C	STRUCTURE CHANGED	04/03/11	J. QU
D	DRAWING FORMAT CHANGED	01/14/20	J. QU

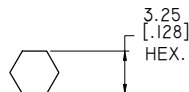


RECOMMENDED MOUNTING HOLE



CABLE STRIPPING DIMENSIONS

HEX. CRIMP TOOL



CRIMP WIDTH: 7.5 [.295]

DRAWN	X. B. YANG	DATE	01/14/20
CHECKED	W. YANG	DATE	01/14/20
APPROVED	J. QU	DATE	01/14/20

UNLESS OTHERWISE SPECIFIED DIMENSIONS ARE IN MILLINETERS, DIMENSIONS IN [] ARE IN INCHES FOR CUSTOMER REFERENCE ONLY UNLESS OTHERWISE SPECIFIED TOLERANCE ARE:

.XX	±0.13 [.005"]
.X	±0.20 [.008"]
X	±0.50 [.019"]
.X°	±1°
X°	±2°

THESE DRAWINGS AND SPECIFICATIONS ARE THE PROPERTY OF ANOISON ELECTRONICS LTD AND SHOULD NOT BE USED WITHOUT WRITTEN PERMISSION COPYRIGHT © 2020 ANOISON ELECTRONICS LTD



TITLE
TNC STRAIGHT WATERPROOF BULKHEAD FEMALE CRIMP FOR LMR100/RG316/RG174 CABLE

VIEW



PART NO.

ANO 3312-1031

SIZE
A3

SCALE
2.5:1

SHEET
1/1

REV.
D