

MATERIAL & FINISH:

- 1 BODY: BRASS, NICKEL 5.08µm~7.62µm AND TIN 8.13µm MIN. PLATED
- 2 CENTER CONTACT: BERYLLIUM COPPER, NICKEL 1.27µm AND GOLD 1.27µm PLATED
- 3 OUTER CONTACT: BERYLLIUM COPPER, NICKEL 1.27µm AND GOLD 1.27µm PLATED
- 4 INSULATOR: PTFE
- 5 GASKET: SILICONE RUBBER

ENVIRONMENTAL DATA:

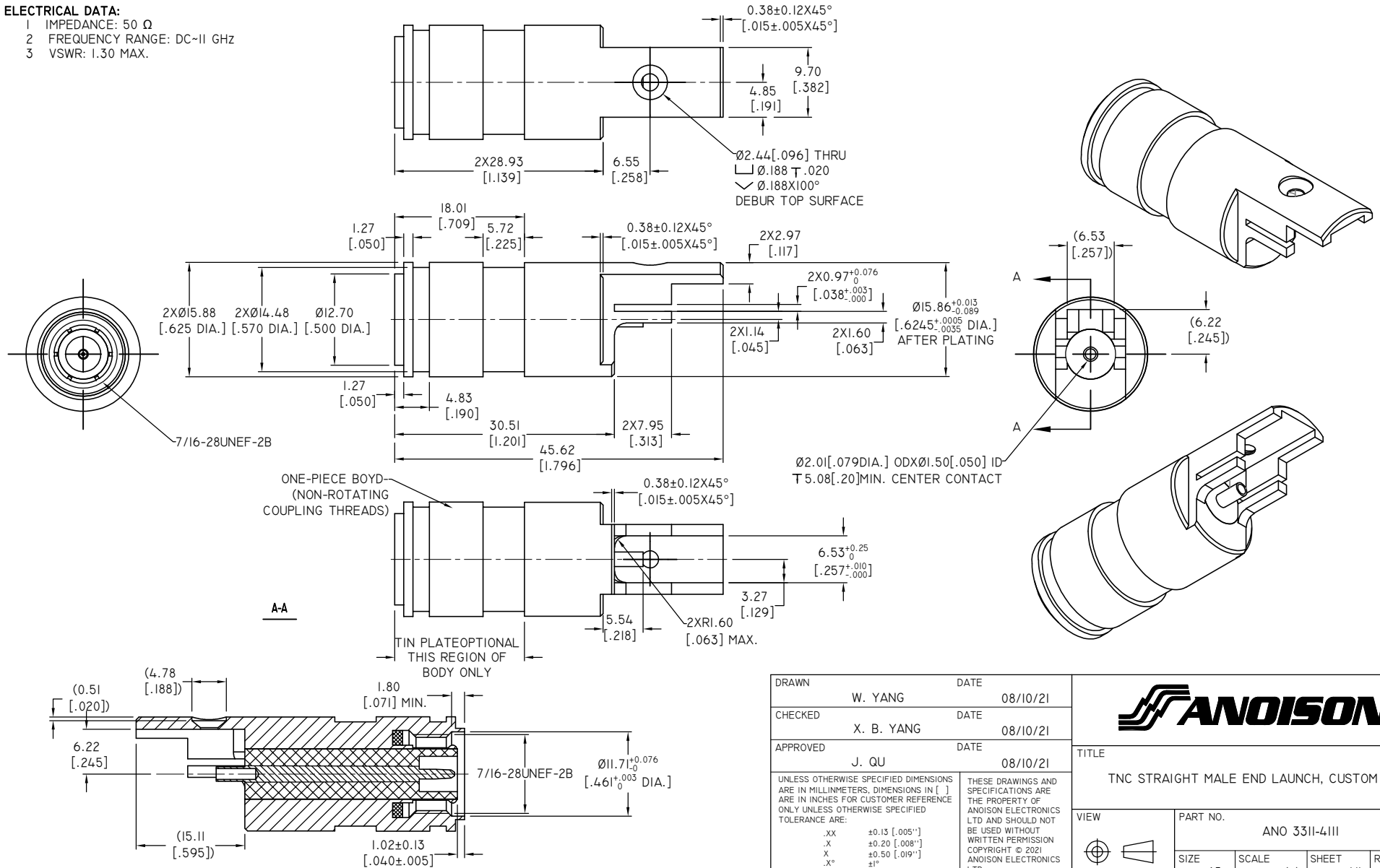
- 1 TEMPERATURE RANGE: -55°C~+125°C
- 2 2011/65/EU (RoHS): COMPLIANT
- 3 TNC MALE INTERFACE: MIL-STD-348A/313.1

REVISIONS			
REV.	DESCRIPTION	DATE	APPROVED
A	INITIAL RELEASE	08/10/21	J. QU

(ONE-PIECE BODY-NON-ROTATING COUPLING THREADS)

ELECTRICAL DATA:

- 1 IMPEDANCE: 50 Ω
- 2 FREQUENCY RANGE: DC~11 GHZ
- 3 VSWR: 1.30 MAX.



DRAWN	W. YANG	DATE	08/10/21
CHECKED	X. B. YANG	DATE	08/10/21
APPROVED	J. QU	DATE	08/10/21
UNLESS OTHERWISE SPECIFIED DIMENSIONS ARE IN MILLIMETERS, DIMENSIONS IN [] ARE IN INCHES FOR CUSTOMER REFERENCE ONLY UNLESS OTHERWISE SPECIFIED TOLERANCE ARE:		THESE DRAWINGS AND SPECIFICATIONS ARE THE PROPERTY OF ANOISON ELECTRONICS LTD AND SHOULD NOT BE USED WITHOUT WRITTEN PERMISSION COPYRIGHT © 2021 ANOISON ELECTRONICS LTD	
.XX	±0.13 [0.005"]		
.X	±0.20 [0.008"]		
X	±0.50 [0.019"]		
.X°	±1°		
X°	±2°		

ANOISON

TITLE: TNC STRAIGHT MALE END LAUNCH, CUSTOM

VIEW:

PART NO. ANO 3311-4111

SIZE	SCALE	SHEET	REV.
A3	4:1	1/1	A