

1.0 MATERIAL & FINISH:

- 1.1 BODY: STAINLESS STEEL, PASSIVATED
- 1.2 CENTER CONTACT: BERYLLIUM COPPER ALLOY, GOLD PLATED
- 1.3 SOLDER FERRULE: BRASS, GOLD PLATED
- 1.4 COUPLING NUT: STAINLESS STEEL, PASSIVATED
- 1.5 INSULATOR: PTFE

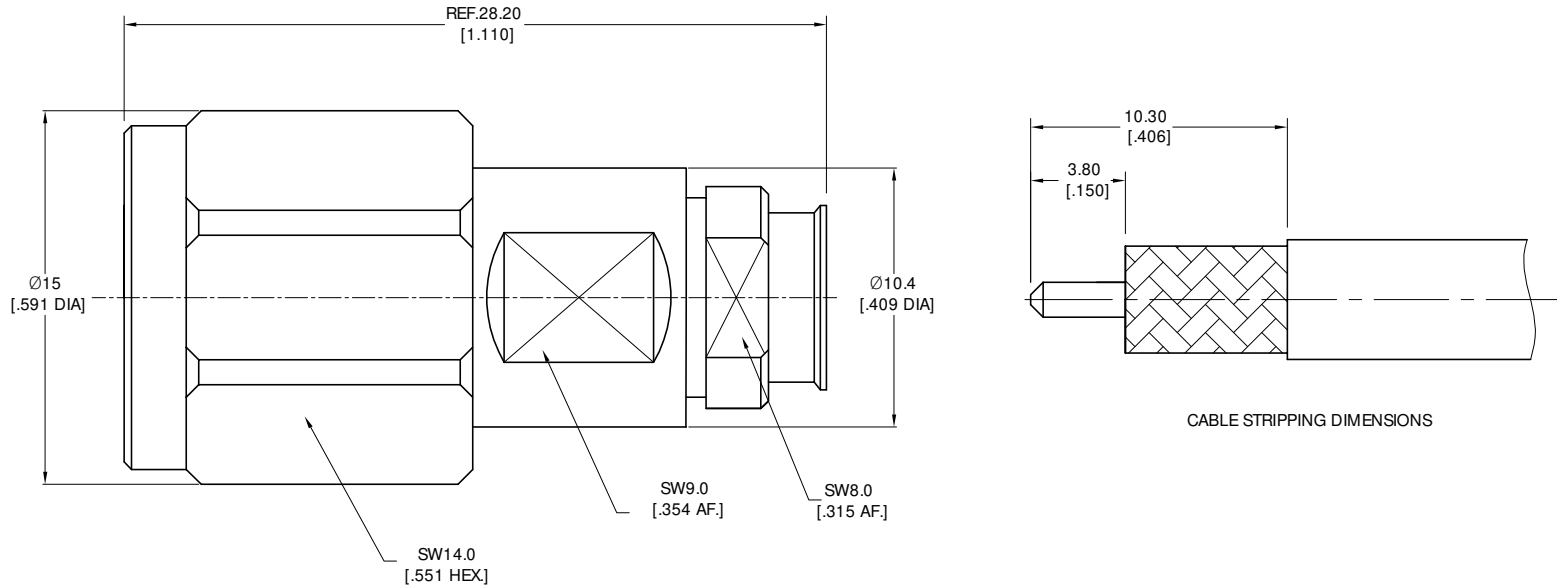
2.0 ELECTRICAL DATA:

- 2.1 IMPEDANCE: 50 Ω
- 2.2 FREQUENCY RANGE: DC~18GHz
- 2.3 VSWR: 1.35MAX

3.0 ENVIRONMENTAL DATA:

- 3.1 TEMPERATURE RANGE: -55 °C~+125 °C
- 3.2 2011/65/EU(RoHS) AND 2015/863/(RoHS): COMPLIANT
- 3.3 1999/45/EC(REACH): COMPLIANT

REVISIONS			
REV.	DESCRIPTION	DATE	APPROVED
A	INITIAL RELEASE	06/28/23	J Q



DRAWN	P. C	DATE	06/28/23
CHECKED	X. Y	DATE	06/28/23
APPROVED	J Q	DATE	06/28/23

UNLESS OTHERWISE SPECIFIED DIMENSIONS ARE IN MILLIMETERS, DIMENSIONS IN [] ARE IN INCHES FOR CUSTOMER REFERENCE ONLY UNLESS OTHERWISE SPECIFIED TOLERANCE ARE:

XX	±0.13 [.005"]
.X	±0.20 [.008"]
X	±0.50 [.019"]
.X°	±1°
X°	±2°

THESE DRAWINGS AND SPECIFICATIONS ARE THE PROPERTY OF ANOISON ELECTRONICS LTD AND SHOULD NOT BE USED WITHOUT WRITTEN PERMISSION
 COPYRIGHT © 2023
 ANOISON ELECTRONICS LTD



TITLE
TNC STRAIGHT MALE SOLDER FOR CXN3449/PLEX190 CABLE

VIEW		PART NO. ANO 3311-2135					
SIZE	A3	SCALE	5:1	SHEET	1/1	REV.	A