

MATERIAL & FINISH:

- 1 BODY: BRASS, ALBALOY PLATED
- 2 CENTER CONTACT: BRASS, SILVER PLATED
- 3 COUPLING NUT: BRASS, ALBALOY PLATED
- 4 INSULATOR: PTFE
- 5 GASKET: SILICONE RUBBER

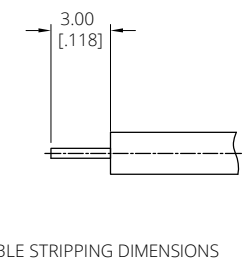
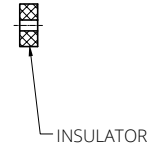
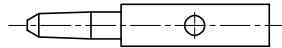
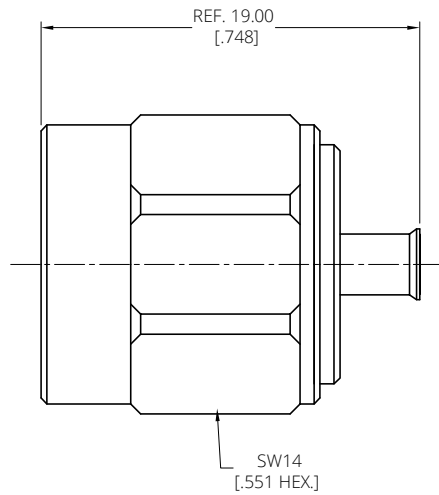
ELECTRICAL DATA:

- 1 IMPEDANCE: 50 Ω
- 2 FREQUENCY RANGE: DC~11 GHZ


ENVIRONMENTAL DATA:

- 1 TEMPERATURE RANGE: -55°C~+125°C
- 2 2015/863/(RoHS): COMPLIANT
- 3 1907/2006/EC(REACH) AND 1999/45/EC(REACH): COMPLIANT

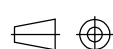
REVISIONS			
REV.	DESCRIPTION	DATE	APPROVED
A	INITIAL RELEASE	10/27/22	J. Q
B	1. INSULATOR ADDED 2. CABLE STRIPPING DIMENSIONS CHANGED	04/02/24	J. Q



DRAWN	W. Y	DATE	04/02/24
CHECKED	X. Y	DATE	04/02/24
APPROVED	J. Q	DATE	04/02/24
UNLESS OTHERWISE SPECIFIED DIMENSIONS ARE IN MILLIMETERS, DIMENSIONS IN [] ARE IN INCHES FOR CUSTOMER REFERENCE ONLY UNLESS OTHERWISE SPECIFIED TOLERANCE ARE:		THESE DRAWINGS AND SPECIFICATIONS ARE THE PROPERTY OF ANOISON ELECTRONICS LTD AND SHOULD NOT BE USED WITHOUT WRITTEN PERMISSION COPYRIGHT © 2024 ANOISON ELECTRONICS LTD	
	XX	±0.13 [.005"]	
	X	±0.20 [.008"]	
	x	±0.50 [.019"]	
	X°	±1°	
	x°	±2°	



TITLE
TNC STRAIGHT MALE SOLDER FOR .086 CABLE

VIEW 

PART NO. ANO 3311-2120

SIZE	SCALE	SHEET	REV.
A3	8:1	1/1	B