

**MATERIAL & FINISH:**

- 1 BODY: BRASS, ALBALOY PLATED
- 2 CENTER CONTACT: BRASS, SILVER PLATED
- 3 COUPLING NUT: SEE TABLE
- 4 INSULATOR: PTFE
- 5 GASKET: SILICONE RUBBER

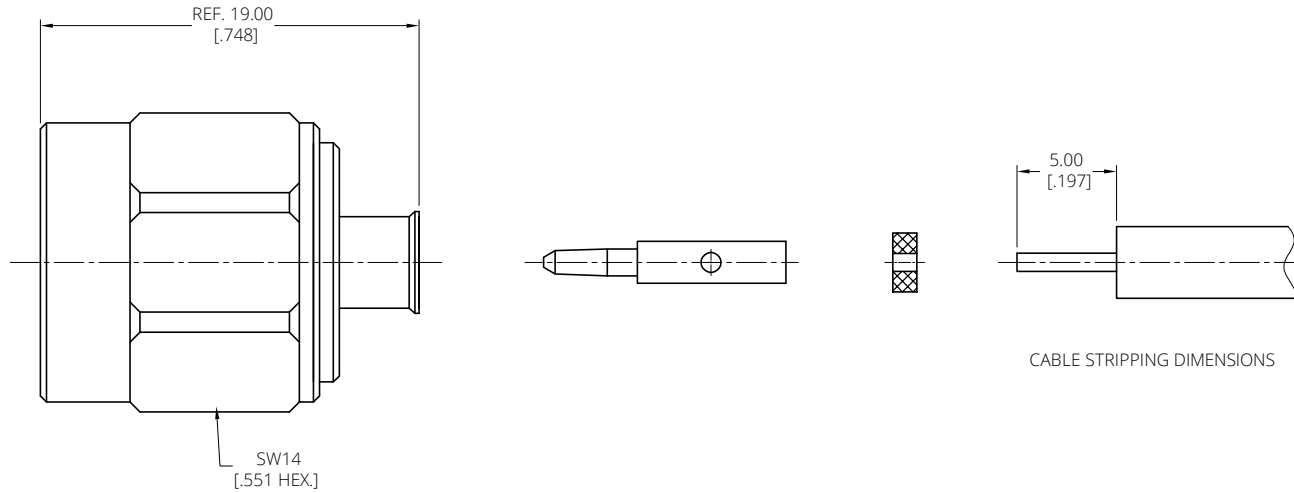
**ELECTRICAL DATA:**

- 1 IMPEDANCE: 50 Ω
- 2 FREQUENCY RANGE: DC~11 GHZ
- 3 VSWR: 1.30 MAX.

**ENVIRONMENTAL DATA:**

- 1 TEMPERATURE RANGE: -55°C~+125°C
- 2 2015/863(RoHS): COMPLIANT
- 3 1907/2006/EC(REACH) AND 1999/45/EC(REACH): COMPLIANT

REVISIONS			
REV.	DESCRIPTION	DATE	APPROVED
A	INITIAL RELEASE	07/09/19	J. QU
B	PART NO. ANO 3311-2055-1 ADDED	06/30/20	J. QU
C	ANO 3311-2055-1 BODY FINISH CHANGED TO ALBALOY	07/14/20	J. QU
D	CENTER CONTACT FINISH CHANGED TO SILVER	11/17/20	J. QU
E	COUPLING NUT FINISH CHANGED TO BLACK	11/23/20	J. QU
F	ADDED COUPLING NUT MATERIAL	07/11/23	J. QU



PART NO.	PART	MATERIAL	FINISH
ANO 3311-2055	COUPLING NUT	BRASS	ALBALOY
ANO 3311-2055-1			BLACK
ANO 3311-2055-2		STAINLESS STEEL 303	PASSIVATED

DRAWN	W. Y	DATE	07/11/23
CHECKED	X. Y	DATE	07/11/23
APPROVED	J. Q	DATE	07/11/23
UNLESS OTHERWISE SPECIFIED DIMENSIONS ARE IN MILLIMETERS, DIMENSIONS IN [ ] ARE IN INCHES FOR CUSTOMER REFERENCE ONLY UNLESS OTHERWISE SPECIFIED TOLERANCE ARE:		THESE DRAWINGS AND SPECIFICATIONS ARE THE PROPERTY OF ANOISON ELECTRONICS LTD AND SHOULD NOT BE USED WITHOUT WRITTEN PERMISSION COPYRIGHT © 2023 ANOISON ELECTRONICS LTD	
	XX	±0.13 [.005"]	
	X	±0.20 [.008"]	
	x	±0.50 [.019"]	
	x*	±1°	
	x*	±2°	



TITLE			
TNC STRAIGHT MALE SOLDER FOR .141 CABLE			
VIEW	PART NO.		
	ANO 3311-2055		
SIZE	SCALE	SHEET	REV.
A3	8:1	1/1	F