

MATERIAL & FINISH:

1. BODY: BRASS, NICKEL PLATED
2. CENTER CONTACT: BRASS, GOLD PLATED
3. INSULATOR: PTFE
4. COUPLING NUT: BRASS, NICKEL PLATED
5. SCREW NUT: BRASS, NICKEL PLATED
6. GASKET: MVQ(SILICONE RUBBER)

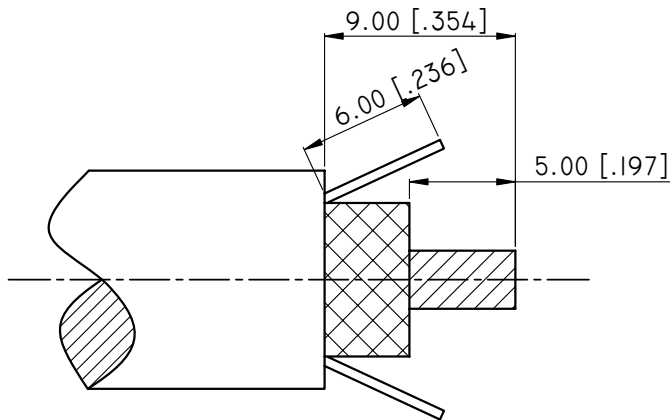
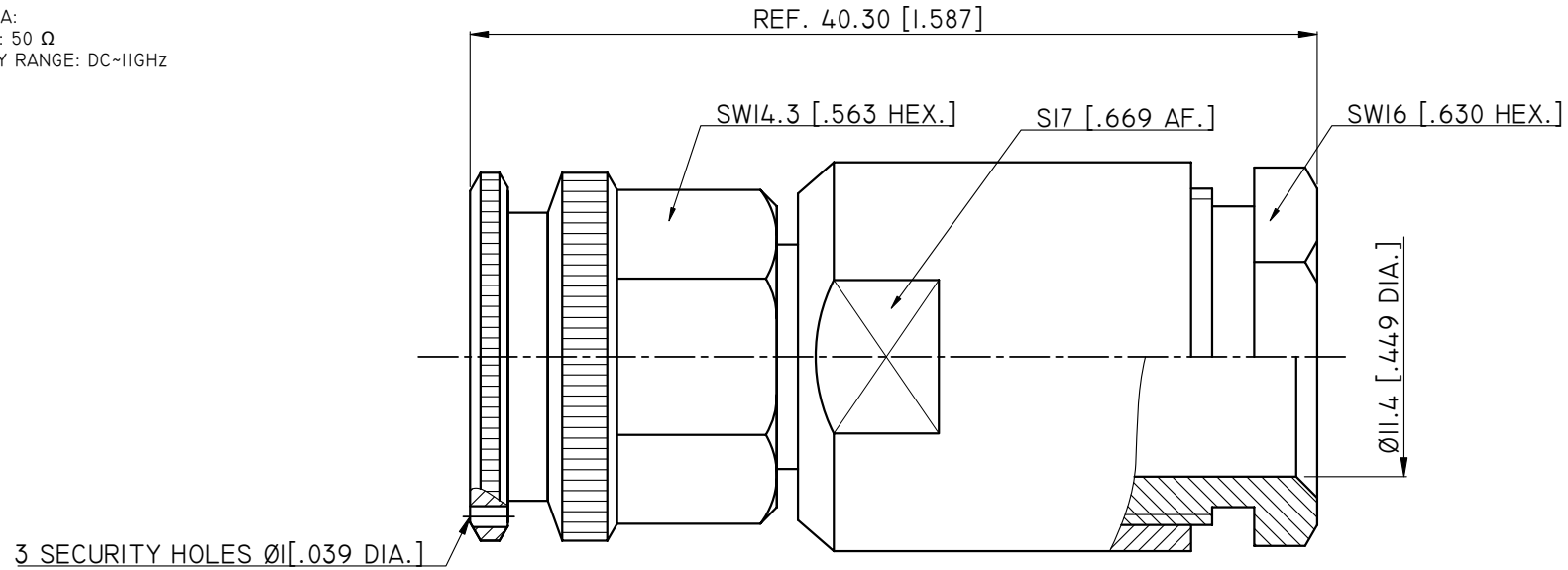
ENVIRONMENTAL DATA:

1. TEMPERATURE RANGE: -55°C~+125°C
2. 2011/65/EU (RoHS): COMPLIANT



ELECTRICAL DATA:

1. IMPEDANCE: 50 Ω
2. FREQUENCY RANGE: DC~11GHZ

REVISIONS			
REV.	DESCRIPTION	DATE	APPROVED
A	INITIAL RELEASE	08/20/14	J. QU
B	ADDED 3 SECURITY HOLES Ø1 [.039 DIA.]	08/22/14	J. QU



CABLE STRIPPING DIMENSIONS

DRAWN	L. YANG	DATE	08/22/14				
CHECKED	X. B. YANG	DATE	08/22/14				
APPROVED	J. QU	DATE	08/22/14				
<small>UNLESS OTHERWISE SPECIFIED DIMENSIONS ARE IN MILLIMETERS, DIMENSIONS IN [] ARE IN INCHES FOR CUSTOMER REFERENCE ONLY UNLESS OTHERWISE SPECIFIED TOLERANCE ARE:</small>				<small>THESE DRAWINGS AND SPECIFICATIONS ARE THE PROPERTY OF ANOISON ELECTRONICS LTD AND SHOULD NOT BE USED WITHOUT WRITTEN PERMISSION COPYRIGHT © 2013 ANOISON</small>			
				TITLE			
				TNC STRAIGHT MALE CLAMP FOR RG213/RG214 CABLE			
				VIEW		PART NO.	
						ANO 3311-2051	
		SIZE	SCALE	SHEET	REV.		
		A3	4:1	1/1	B		