

MATERIAL & FINISH:

- 1 BODY: BRASS, NICKEL PLATED
- 2 CENTER CONTACT: BRASS, GOLD PLATED
- 3 COUPLING NUT: BRASS, NICKEL PLATED
- 4 RETAINING RING: PHOSPHOR BRONZE, UNPLATED
- 5 CRIMP FERRULE: COPPER, NICKEL PLATED
- 6 INSULATOR: PTFE
- 7 GASKET: SILICONE RUBBER

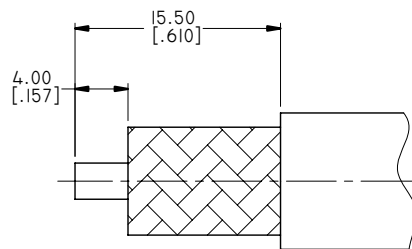
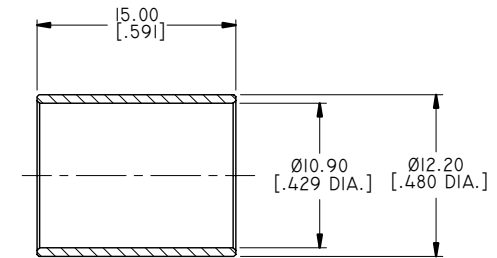
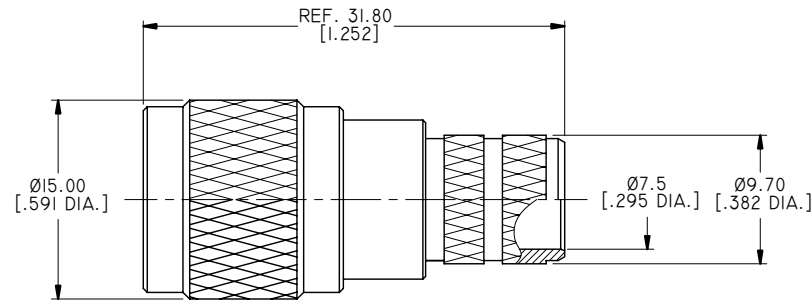
ELECTRICAL DATA:

- 1 IMPEDANCE: 50 Ω
- 2 FREQUENCY RANGE: DC~6 GHz

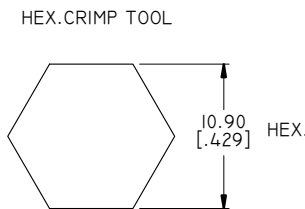
ENVIRONMENTAL DATA:

- 1 TEMPERATURE RANGE: -55°C~+125°C
- 2 2011/65/EU (RoHS): COMPLIANT

| REVISIONS | | | |
|-----------|------------------------|----------|----------|
| REV. | DESCRIPTION | DATE | APPROVED |
| A | INITIAL RELEASE | 07/25/15 | J. QU |
| B | DRAWING FORMAT CHANGED | 08/31/17 | J. QU |



CABLE STRIPPING DIMENSIONS



CRIMP WIDTH: 12.0 [.472]

| | | | |
|---|---------------|--|----------|
| DRAWN | X. B. YANG | DATE | 08/31/17 |
| CHECKED | P. CHEN | DATE | 08/31/17 |
| APPROVED | J. QU | DATE | 08/31/17 |
| UNLESS OTHERWISE SPECIFIED DIMENSIONS ARE IN MILLIMETERS. DIMENSIONS IN [] ARE IN INCHES FOR CUSTOMER REFERENCE ONLY UNLESS OTHERWISE SPECIFIED TOLERANCE ARE: | | THESE DRAWINGS AND SPECIFICATIONS ARE THE PROPERTY OF ANOISON ELECTRONICS LTD AND SHOULD NOT BE USED WITHOUT WRITTEN PERMISSION COPYRIGHT © 2017 ANOISON ELECTRONICS LTD | |
| .XX | ±0.13 [.005"] | | |
| .X | ±0.20 [.008"] | | |
| X | ±0.50 [.019"] | | |
| .X° | ±1° | | |
| X° | ±2° | | |



| | | | |
|--|-------|---------------|------|
| TITLE | | | |
| TNC STRAIGHT MALE CRIMP FOR LMR400 CABLE | | | |
| VIEW | | PART NO. | |
| | | ANO 3311-2033 | |
| SIZE | SCALE | SHEET | REV. |
| A3 | 2.5:1 | I/1 | B |