

4

3

2

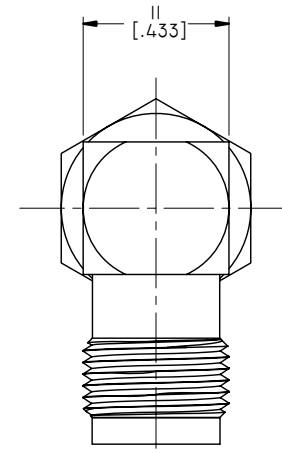
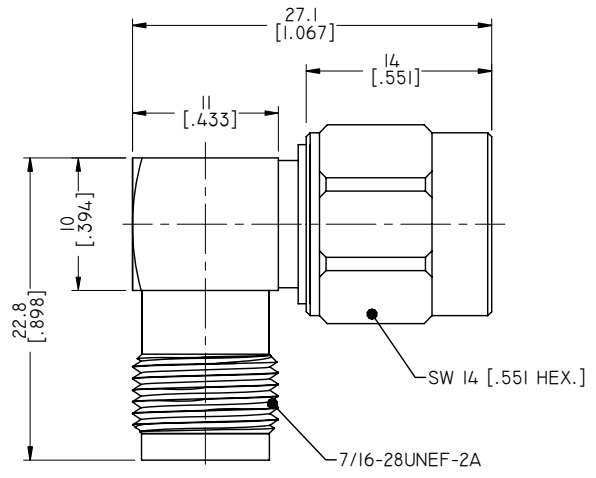
1

1.0 MATERIAL & FINISH:  
 1.1 BODY: BRASS, ALBALOY PLATED  
 1.2 CENTER CONTACT: PHOSPHOR BRONZE, SILVER PLATED  
 1.3 INSULATOR: PTFE  
 1.4 COUPLING NUT: BRASS, ALBALOY PLATED  
 1.5 RETAINING RING: PHOSPHOR BRONZE, ALBALOY PLATED  
 1.6 GASKET: MVQ

3.0 ELECTRICAL DATA:  
 3.1 IMPEDANCE: 50 Ω  
 3.2 FREQUENCY RANGE: DC~6 GHz  
 3.3 VSWR: 1.25 MAX.  
 3.4 INSERTION LOSS: 1.6 DB MAX.  
 3.5 PIM3: ≥ 140 DBC ( 2X43DBM ) AT 900 MHZ

2.0 ENVIRONMENTAL DATA:  
 2.1 TEMPERATURE RANGE: -40°C~+125°C  
 2.2 2011/65/EU (RoHS): COMPLIANT

REVISIONS			
REV.	DESCRIPTION	DATE	APPROVED
A	INITIAL RELEASE	05/05/17	J. QU



DRAWN	W. YANG	DATE	05/05/17
CHECKED	L. YANG	DATE	05/05/17
APPROVED	J. QU	DATE	05/05/17
UNLESS OTHERWISE SPECIFIED DIMENSIONS ARE IN MILLIMETERS. DIMENSIONS IN [ ] ARE IN INCHES FOR CUSTOMER REFERENCE ONLY UNLESS OTHERWISE SPECIFIED TOLERANCE ARE:		THESE DRAWINGS AND SPECIFICATIONS ARE THE PROPERTY OF ANOISON ELECTRONICS LTD AND SHOULD NOT BE USED WITHOUT WRITTEN PERMISSION COPYRIGHT © 2017 ANOISON ELECTRONICS LTD	
.XX	±0.13 [.005"]		
.X	±0.20 [.008"]		
X	±0.50 [.019"]		
.X°	±1°		
X°	±2°		



TITLE			
ADAPTER, RIGHT ANGLE, TNC MALE TO TNC FEMALE			
VIEW		PART NO.	
		ANO 331-332-2404	
SIZE	SCALE	SHEET	REV.
A3	2.5:1	1/1	A

4

3

2

1