

**MATERIAL & FINISH:**

- 1 TNC OUTER CONTACT: BRASS, NICKEL PLATED
- 2 SMA OUTER CONTACT: BRASS, GOLD PLATED
- 3 COUPLING NUT: BRASS, NICKEL PLATED
- 4 CENTER CONTACT: BERYLLIUM COPPER ALLOY, GOLD PLATED
- 5 INSULATOR: PTFE
- 6 O-RING: SILICONE RUBBER

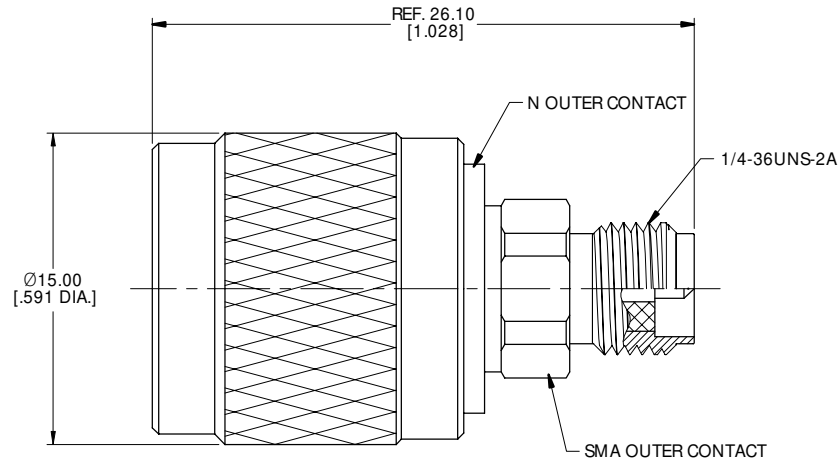
**ELECTRICAL DATA:**

- 1 IMPEDANCE: 50 OHMS
- 2 FREQUENCY RANGE: DC~6 GHz
- 3 VSWR: 1.30 MAX.

**ENVIRONMENTAL DATA:**

- 1 TEMPERATURE RANGE: -55°C~+125°C
- 2 2011/65/EU(RoHS) AND 2015/863/(RoHS): COMPLIANT
- 3 1907/2006/EC(REACH): COMPLIANT

REVISIONS			
REV.	DESCRIPTION	DATE	APPROVED
A	INITIAL RELEASE	03/17/22	J QU



DRAWN	XB. YANG	DATE	03/17/22
CHECKED	W. YANG	DATE	03/17/22
APPROVED	J QU	DATE	03/17/22
UNLESS OTHERWISE SPECIFIED DIMENSIONS ARE IN MILLIMETERS, DIMENSIONS IN [ ] ARE IN INCHES FOR CUSTOMER REFERENCE ONLY UNLESS OTHERWISE SPECIFIED TOLERANCE ARE:		THESE DRAWINGS AND SPECIFICATIONS ARE THE PROPERTY OF ANOISON ELECTRONICS LTD AND SHOULD NOT BE USED WITHOUT WRITTEN PERMISSION COPYRIGHT © 2022 ANOISON ELECTRONICS LTD	
.XX	±0.13 [.005"]		
.X	±0.20 [.008"]		
X	±0.50 [.019"]		
.X°	±1°		
X°	±2°		



TITLE			
ADAPTER, TNC MALE TO RP SMA FEMALE			
VIEW		PART NO.	
		ANO 331-214-1594	
SIZE	SCALE	SHEET	REV.
A3	4:1	1/1	A