

MATERIAL & FINISH

- 1 BODY: BRASS, SEE TABLE
- 2 CENTER CONTACT: BERYLLIUM COPPER ALLOY, SEE TABLE
- 3 INSULATOR: PTFE
- 4 COUPLING NUT: BRASS, SEE TABLE
- 5 GASKET: SILICONE RUBBER

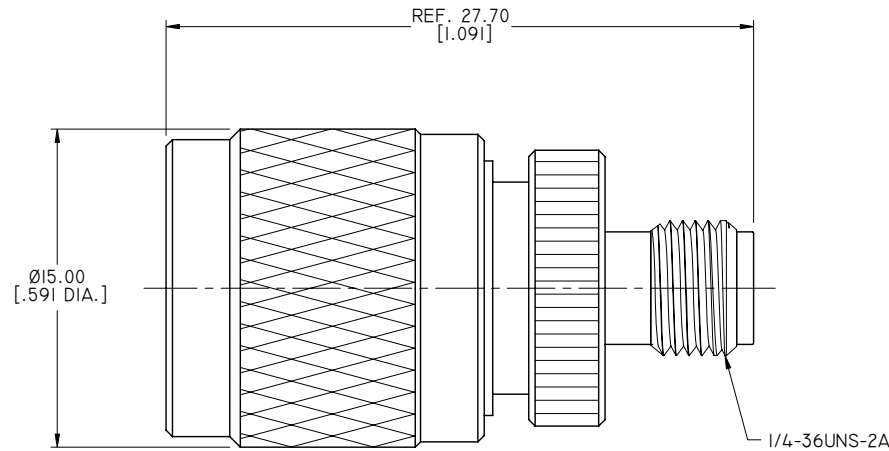
ELECTRICAL DATA:

- 1 IMPEDANCE: 50 OHMS
- 2 FREQUENCY RANGE: DC~11 GHZ
- 3 VSWR: 1.20 MAX. AT DC~6 GHZ
1.30 MAX. AT 6~11 GHZ
- 4 INSERTION LOSS: 0.2 DB MAX.

ENVIRONMENTAL DATA:

- 1 TEMPERATURE RANGE: -55°C~+125°C
- 2 2011/65/EU(RoHS) AND 2015/863/(RoHS): COMPLIANT
- 3 1907/2006/EC(REACH) AND 1999/45/EC(REACH): COMPLIANT

REVISIONS			
REV.	DESCRIPTION	DATE	APPROVED
B	OUTLINE DRAWING CHANGED	07/20/17	J. QU
C	1. ANO 331-212-1180-1 ADDED 2. 27.70 [1.091] WAS 27.00 [1.063] 3. INSERTION LOSS AND PIM ADDED	08/06/19	J. QU



TABLE

PART NO.	BODY FINISH	CENTER CONTACT	COUPLING NUT	PIM
ANO 331-212-1180	NICKEL	GOLD	NICKEL	—
ANO 331-212-1180-1	ALBALOY	SILVER	ALBALOY	≤ -120 DBC

DRAWN X. B. YANG	DATE 08/06/19										
CHECKED W. YANG	DATE 08/06/19										
APPROVED J. QU	DATE 08/06/19										
<small>UNLESS OTHERWISE SPECIFIED DIMENSIONS ARE IN MILLIMETERS. DIMENSIONS IN [] ARE IN INCHES FOR CUSTOMER REFERENCE ONLY UNLESS OTHERWISE SPECIFIED TOLERANCE ARE:</small>		<small>THESE DRAWINGS AND SPECIFICATIONS ARE THE PROPERTY OF ANOISON ELECTRONICS LTD AND SHOULD NOT BE USED WITHOUT WRITTEN PERMISSION COPYRIGHT © 2019 ANOISON ELECTRONICS LTD</small>									
<table> <tr> <td>.XX</td> <td>±0.13 [.005"]</td> </tr> <tr> <td>.X</td> <td>±0.20 [.008"]</td> </tr> <tr> <td>X</td> <td>±0.50 [.019"]</td> </tr> <tr> <td>.X°</td> <td>±1°</td> </tr> <tr> <td>X°</td> <td>±2°</td> </tr> </table>			.XX	±0.13 [.005"]	.X	±0.20 [.008"]	X	±0.50 [.019"]	.X°	±1°	X°
.XX	±0.13 [.005"]										
.X	±0.20 [.008"]										
X	±0.50 [.019"]										
.X°	±1°										
X°	±2°										
<small>VIEW</small> 		<small>TITLE</small> ADAPTER, TNC MALE TO SMA FEMALE									
<small>PART NO.</small> ANO 331-212-1180		<table> <tr> <td><small>SIZE</small> A3</td> <td><small>SCALE</small> 4:1</td> <td><small>SHEET</small> 1/1</td> <td><small>REV.</small> C</td> </tr> </table>	<small>SIZE</small> A3	<small>SCALE</small> 4:1	<small>SHEET</small> 1/1	<small>REV.</small> C					
<small>SIZE</small> A3	<small>SCALE</small> 4:1	<small>SHEET</small> 1/1	<small>REV.</small> C								