

4

3

2

1

**MATERIAL & FINISH:**

- 1 BODY: BRASS, ALBALOY PLATED
- 2 CENTER CONTACT: BERYLLIUM COPPER ALLOY, GOLD PLATED
- 3 INSULATOR: PTFE
- 4 COUPLING NUT: BRASS, ALBALOY PLATED
- 5 RADIATOR: ALUMINIUM, BLACK

**ENVIRONMENTAL DATA:**

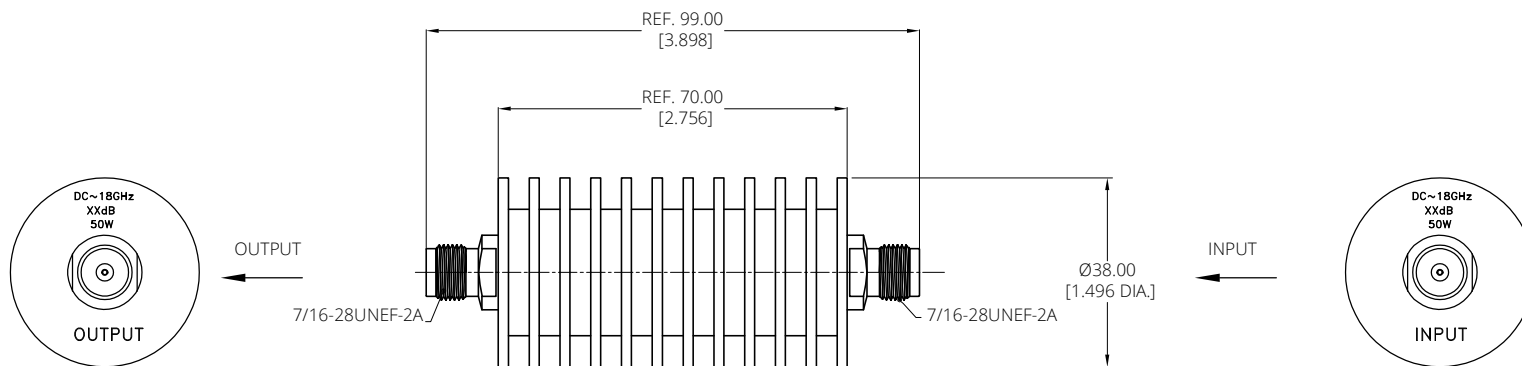
- 1 TEMPERATURE RANGE: -55°C~+125°C
- 2 2011/65/EU(RoHS) AND 2015/863/(RoHS): COMPLIANT
- 3 1907/2006/EC(REACH): COMPLIANT

**ELECTRICAL DATA:**

- 1 IMPEDANCE: 50 Ω
- 2 FREQUENCY RANGE: DC~18 GHz
- 3 VSWR: 1.45 MAX.
- 4 AVERAGE POWER: MAXIMUM POWER 50 WATTS AVERAGE TO 25°C AMBIENT TEMPERATRUE, DERATED LINEARLY TO 5W @ 125°C
- 5 PEAK POWER: MAXIMUM POWER 1000 W (5μS PLUSE WIDTH WITH THE MAXIMUM 2.5% DUTY CYCLE)
- 6 ATTENUATOR ACCURACY: SEE TABLE

REVISIONS

REV.	DESCRIPTION	DATE	APPROVED
A	INITIAL RELEASE	04/24/25	J, Q



PART NO.	ATTENUATION VALUES & ACCURACY			
	1~10 dB	20 dB	30 dB	40~50 dB
ANO 33-5002-XX	±0.8 dB	±0.9 dB	±1.1 dB	±1.2 dB~±1.3 dB

NOTE: XX REFER TO ATTENUATION VALUE IN DB

DRAWN	W. Y	DATE	04/24/25
CHECKED	X. Y	DATE	04/24/25
APPROVED	J. Q	DATE	04/24/25

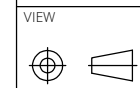


TITLE  
ATTENUATOR, TNC FEMALE TO TNC FEMALE, 50W,  
UNI DIRECTIONAL, DC-18GHz

UNLESS OTHERWISE SPECIFIED DIMENSIONS ARE IN MILLIMETERS, DIMENSIONS IN [ ] ARE IN INCHES FOR CUSTOMER REFERENCE ONLY UNLESS OTHERWISE SPECIFIED TOLERANCE ARE:

XX	±0.13 [0.005"]
X	±0.20 [0.008"]
x	±0.50 [0.019"]
X°	±1°
x°	±2°

THESE DRAWINGS AND SPECIFICATIONS ARE THE PROPERTY OF ANOISON ELECTRONICS LTD AND SHOULD NOT BE USED WITHOUT WRITTEN PERMISSION COPYRIGHT © 2025 ANOISON ELECTRONICS LTD



VIEW	PART NO.	ANO 33-5002-XX			
SIZE	A3	SCALE	1:1	SHEET	1/1
REV.	A				

4

3

2

1