

MATERIAL & FINISH:

- 1 BODY: BRASS, GOLD PLATED
- 2 CENTER CONTACT: PHOSPHOR BRONZE, GOLD PLATED
- 3 OUTER CONTACT: BERYLLIUM COPPER ALLOY, GOLD PLATE
- 4 INSULATOR: PTFE
- 5 CRIMP FERRULE: BRASS, NICKEL PLATED
- 6 CAP: BRASS, GOLD PLATED

ENVIRONMENTAL DATA:

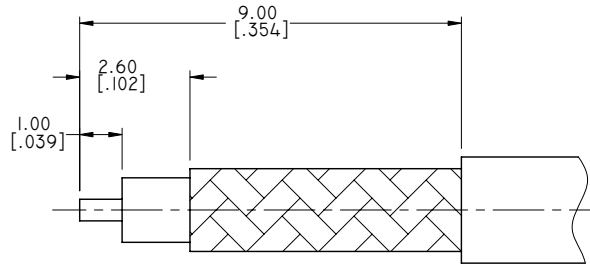
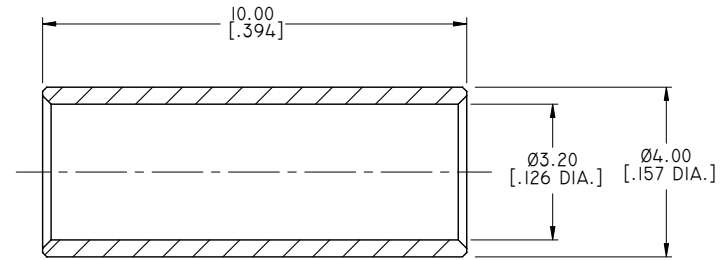
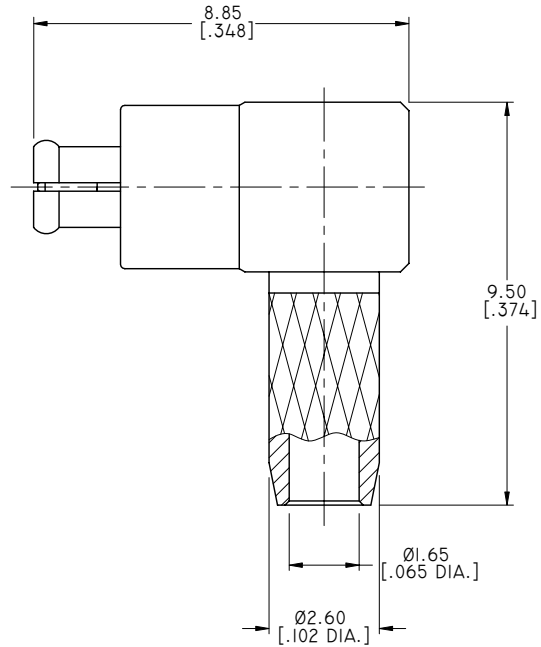
- 1 TEMPERATURE RANGE: -55°C~+85°C
- 2 2011/65/EU(RoHS) AND 2015/863/(RoHS): COMPLIANT
- 3 1999/45/EC(REACH): COMPLIANT

ELECTRICAL DATA:

- 1 IMPEDANCE: 50 Ω

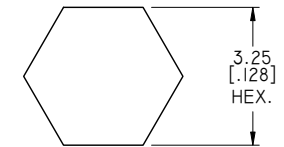
REVISIONS

REV.	DESCRIPTION	DATE	APPROVED
A	INITIAL RELEASE	10/25/18	J. QU



CABLE STRIPPING DIMENSIONS

HEX. CRIMP TOOL



CRIMP WIDTH: 7.5 [.295]

DRAWN	X. B. YANG	DATE	10/25/18
CHECKED	W. YANG	DATE	10/25/18
APPROVED	J. QU	DATE	10/25/18
UNLESS OTHERWISE SPECIFIED DIMENSIONS ARE IN MILLIMETERS. DIMENSIONS IN [] ARE IN INCHES FOR CUSTOMER REFERENCE ONLY UNLESS OTHERWISE SPECIFIED TOLERANCE ARE:		THESE DRAWINGS AND SPECIFICATIONS ARE THE PROPERTY OF ANOISON ELECTRONICS LTD AND SHOULD NOT BE USED WITHOUT WRITTEN PERMISSION COPYRIGHT © 2018 ANOISON ELECTRONICS LTD	
.XX	±0.13 [.005"]		
.X	±0.20 [.008"]		
X	±0.50 [.019"]		
.X°	±1°		
X°	±2°		



TITLE		MC-CARD RIGHT ANGLE PLUG CRIMP FOR LMRI00/RG316/RG174 CABLE		
VIEW		PART NO. ANO 3221-2001		
SIZE	SCALE	SHEET	REV.	
A3	8:1	I/1	A	