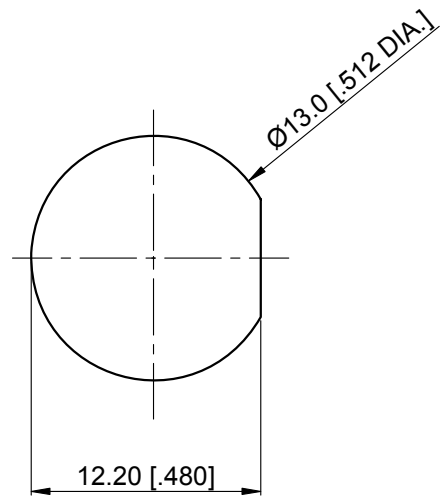
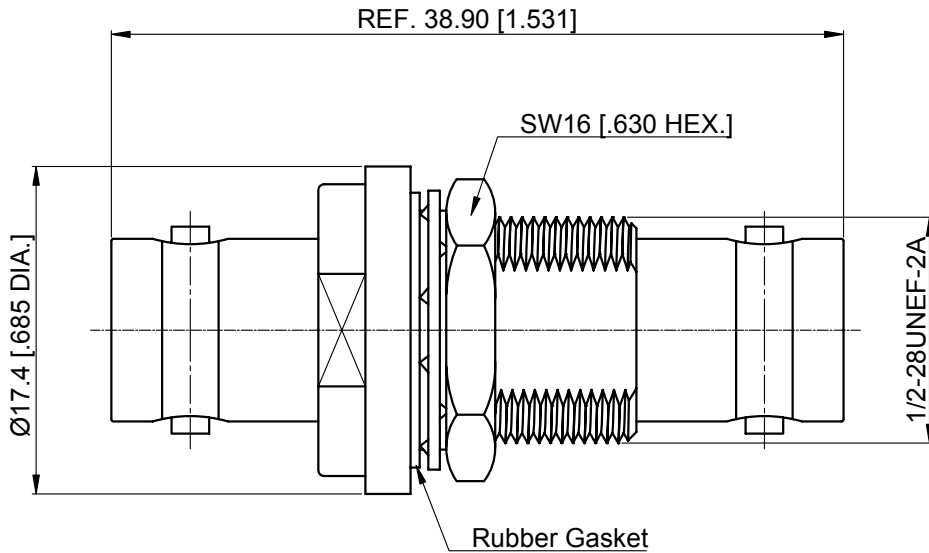


DESCRIPTION	MATERIAL	FINISH
Center Contact	Phosphor Bronze	Gold
Outer Contact	Brass	Albaloy
Washer	Phosphor Bronze	Nickel
Rubber Gasket	MVQ (Silicone Rubber)	---
Fastening Nut	Brass	Nickel
Insulator 1	PTFE	---
Insulator 2	Glass Corning 7070	---

Technical Data

1. Impedance: 50 Ω
2. Frequency Range: DC-4GHz
3. VSWR: 1.30 Max.
4. Voltage Rating: 750V Max.
5. Dielectric Withstanding Voltage: 1500V Min.
6. Insulation Resistance: 5000 MΩ
7. Operating Temp. : -55°C to +125°C
8. 2002/95/EC(RoHS): Compliant
9. Hermeticity: 1x10⁻⁶ cc/sec at one Atmosphere
10. BNC Interfaces PER MIL-STD-348A



Recommended Mounting Hole

NOTES:

1. ALL SPECIFICATIONS ARE SUBJECT TO CHANGE WITHOUT NOTICE AT ANY TIME
2. CUSTOMER OUTLINE DRAWING FOR REFERENCE ONLY

VSWR and Insertion Loss Changed	---	10/05/12	C	
Technical Data 11 Error	---	09/06/12	B	Drawn: X. B. Yang 10/05/12
Release to Mfg.	---	09/03/12	A	Checked: L. Yang 10/05/12
Description	Ecn.No	Date	Rev	Approved: J. Qu 10/05/12

Title:

**Adapter
BNC Female to BNC Female
Bulkhead Waterproof, Hermetic Seal**



Unless otherwise specified dimensions are in millimeters, dimensions in [] are in inches for customer reference only.

Unless Otherwise Specified tolerance are:

.XX	±0.13 [.005"]
.X	±0.20 [.008"]
X	±0.50 [.019"]
.X°	±1°
X°	±2°

View:



Part No:

ANO 312-312-1249

Size: A4	Scale: 2.5:1	Sheet: 1/1	Rev: A
-------------	-----------------	---------------	-----------