

MATERIAL & FINISH:

- 1 BODY: BRASS, NICKEL PLATED
- 2 CENTER CONTACT: PHOSPHOR BRONZE, GOLD PLATED
- 3 INSULATOR: PTFE
- 4 COUPLING NUT: BRASS, NICKEL PLATED
- 5 WAVE WASHER: BERYLLIUM COPPER ALLOY, NICKEL PLATED
- 6 O-RING: SILICONE RUBBER

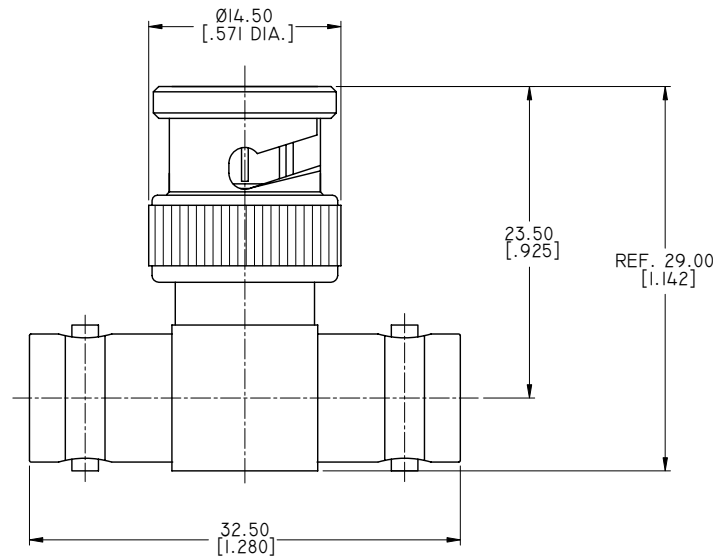
ELECTRICAL DATA:

- 1 IMPEDANCE: 50 Ω

ENVIRONMENTAL DATA:

- 1 TEMPERATURE RANGE: -55°C~+125°C
- 2 2015/863/(RoHS): COMPLIANT
- 3 1907/2006/EC(REACH) AND 1999/45/EC(REACH): COMPLIANT

REVISIONS			
REV.	DESCRIPTION	DATE	APPROVED
A	INITIAL RELEASE	05/29/19	J. QU



DRAWN	X. B. YANG	DATE	05/29/19
CHECKED	L. YANG	DATE	05/29/19
APPROVED	J. QU	DATE	05/29/19
UNLESS OTHERWISE SPECIFIED DIMENSIONS ARE IN MILLIMETERS. DIMENSIONS IN [ ] ARE IN INCHES FOR CUSTOMER REFERENCE ONLY UNLESS OTHERWISE SPECIFIED TOLERANCE ARE:		THESE DRAWINGS AND SPECIFICATIONS ARE THE PROPERTY OF ANOISON ELECTRONICS LTD AND SHOULD NOT BE USED WITHOUT WRITTEN PERMISSION COPYRIGHT © 2019 ANOISON ELECTRONICS LTD	
.XX	±0.13 [ .005" ]		
.X	±0.20 [ .008" ]		
X	±0.50 [ .019" ]		
.X°	±1°		
X°	±2°		



TITLE  
T ADAPTER, BNC FEMALE TO MALE TO FEMALE

VIEW	PART NO. ANO 312-311-312I		
	SIZE A3	SCALE 2.5:1	SHEET 1/1
	REV. A		