

MATERIAL & FINISH:

- 1 BODY: BRASS, NICKEL PLATED
- 2 CENTER CONTACT: PHOSPHOR BRONZE, GOLD PLATED
- 3 FASTENING NUT: BRASS, NICKEL PLATED
- 4 LOCK WASHER: PHOSPHOR BRONZE, NICKEL PLATED
- 5 INSULATOR: PTFE
- 6 GASKET: SILICONE RUBBER

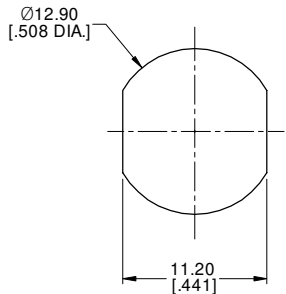
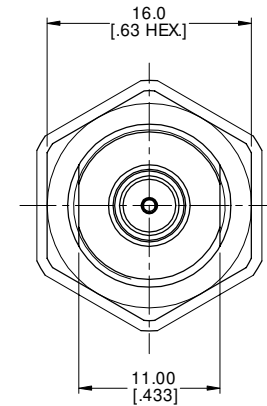
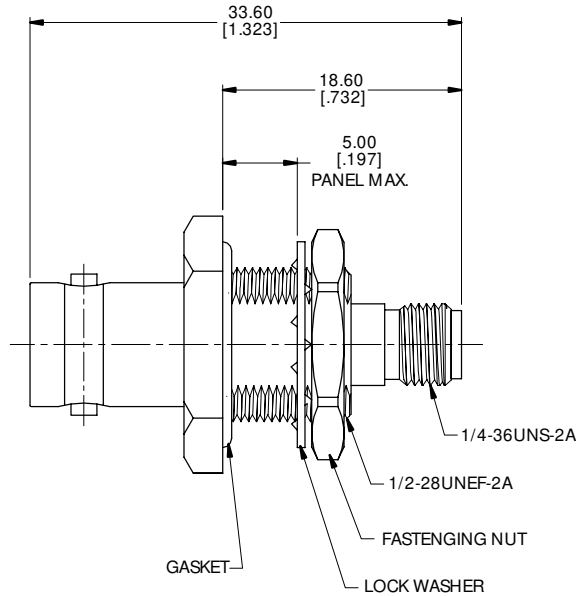
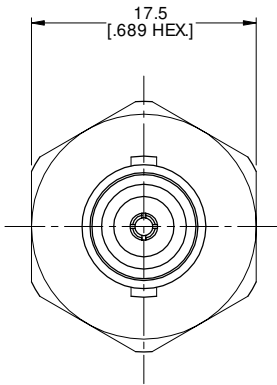
ELECTRICAL DATA:

- 1 IMPEDANCE: 50 OHMS
- 2 FREQUENCY RANGE: DC-4 GHz
- 3 VSWR: 1.35 MAX.

ENVIRONMENTAL DATA:

- 1 TEMPERATURE RANGE: -55°C ~ +125°C
- 2 2011/65/EU (RoHS) AND 2015/863/(RoHS): COMPLIANT
- 3 1907/2006/EC (REACH): COMPLIANT
- 4 IP GRADE: IP68 (MATED)

REVISIONS			
REV.	DESCRIPTION	DATE	APPROVED
A	INITIAL RELEASE	11/08/22	J Q



RECOMMENDED MOUNTING HOLE

DRAWN	X. Y	DATE	11/08/22
CHECKED	W. Y	DATE	11/08/22
APPROVED	J Q	DATE	11/08/22

UNLESS OTHERWISE SPECIFIED DIMENSIONS ARE IN MILLIMETERS, DIMENSIONS IN [] ARE IN INCHES FOR CUSTOMER REFERENCE ONLY UNLESS OTHERWISE SPECIFIED TOLERANCE ARE:

.XX	±0.13 [0.005"]
.X	±0.20 [0.008"]
X	±0.50 [0.019"]
X°	±1°
X"	±2°

THESE DRAWINGS AND SPECIFICATIONS ARE THE PROPERTY OF ANOISON ELECTRONICS LTD AND SHOULD NOT BE USED WITHOUT WRITTEN PERMISSION COPYRIGHT © 2022 ANOISON ELECTRONICS LTD



TITLE			
ADAPTER, BNC FEMALE TO SMA FEMALE BULKHEAD			
VIEW		PART NO.	
		ANO 312-212-1611	
SIZE	SCALE	SHEET	REV.
A3	2.5:1	1/1	A