

4

3

2

1

MATERIAL & FINISH:

- 1. BODY: BRASS, NICKEL PLATED
- 2. CENTER CONTACT: PHOSPHOR BRONZE, GOLD PLATED
- 3. INSULATOR1: PTFE
- 4. INSULATOR2: GLASS
- 5. WASHER: PHOSPHOR BRONZE, NICKEL PLATED
- 6. FASTENING NUT: BRASS, NICKEL PLATED
- 7. GASKET: MVQ(SILICONE RUBBER)

ELECTRICAL DATA:

- 1. IMPEDANCE: 50 Ω
- 2. DIELECTRIC WITHSTANDING VOLTAGE: 1500 VRMS MIN.

ENVIRONMENTAL DATA:

- 1. TEMPERATURE RANGE: -55°C~+125°C
- 2. 2011/65/EU(RoHS) AND 2015/863/(RoHS): COMPLIANT
- 3. 1907/2006/EC(REACH): COMPLIANT

REVISIONS

REV.	DESCRIPTION	DATE	APPROVED
A	INITIAL RELEASE	06/07/22	J. Q

D

D

C

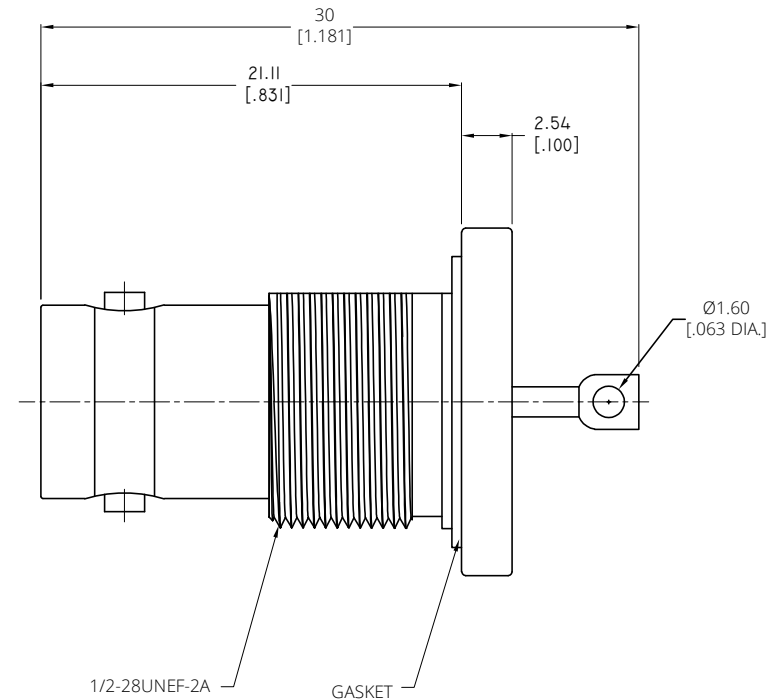
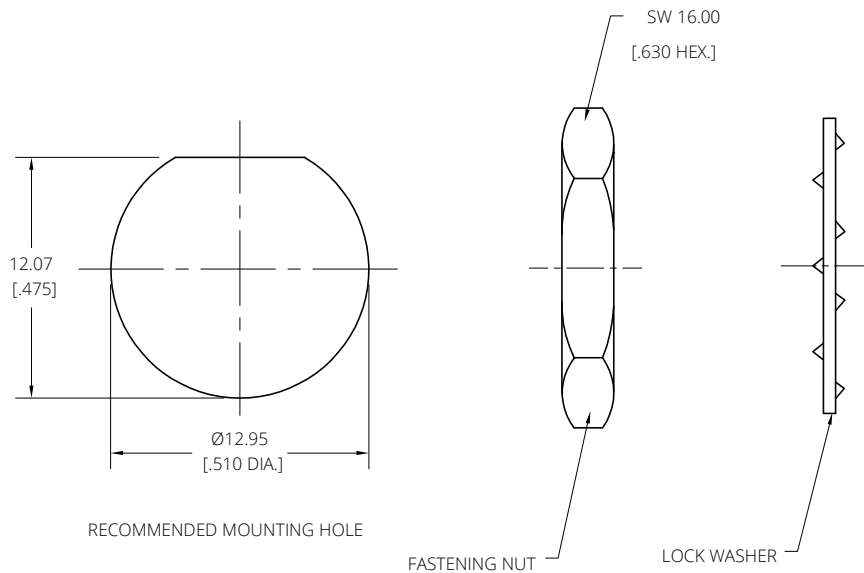
C

B

B

A

A



DRAWN	W. Y	DATE	05/07/22
CHECKED	X. Y	DATE	05/07/22
APPROVED	J. Q	DATE	05/07/22
UNLESS OTHERWISE SPECIFIED DIMENSIONS ARE IN MILLIMETERS, DIMENSIONS IN [] ARE IN INCHES FOR CUSTOMER REFERENCE ONLY UNLESS OTHERWISE SPECIFIED TOLERANCE ARE:		THESE DRAWINGS AND SPECIFICATIONS ARE THE PROPERTY OF ANOISON ELECTRONICS LTD AND SHOULD NOT BE USED WITHOUT WRITTEN PERMISSION COPYRIGHT © 2022 ANOISON ELECTRONICS LTD	
XX	±0.13 [0.005"]		
X	±0.20 [0.008"]		
x	±0.50 [0.019"]		
x°	±1°		
x°	±2°		



TITLE			
BNC STRAIGHT BULKHEAD FEMALE, REAR MOUNT, HERMETICALLY SEALED			
VIEW	PART NO.		
	ANO 3112-5052		
SIZE	SCALE	SHEET	REV.
A3	4:1	1/1	A

4

3

2

1