

4

3

2

1

MATERIAL & FINISH:

- 1 BODY: BRASS, ALBALOY PLATED
- 2 CENTER CONTACT: BRASS, GOLD PLATED
- 3 INSULATOR: PTFE
- 4 COUPLING NUT: BRASS, ORB (BLACK) FINISH

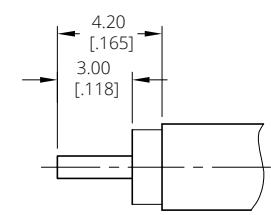
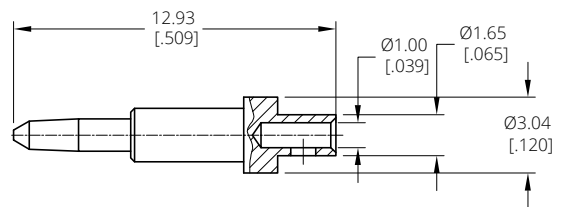
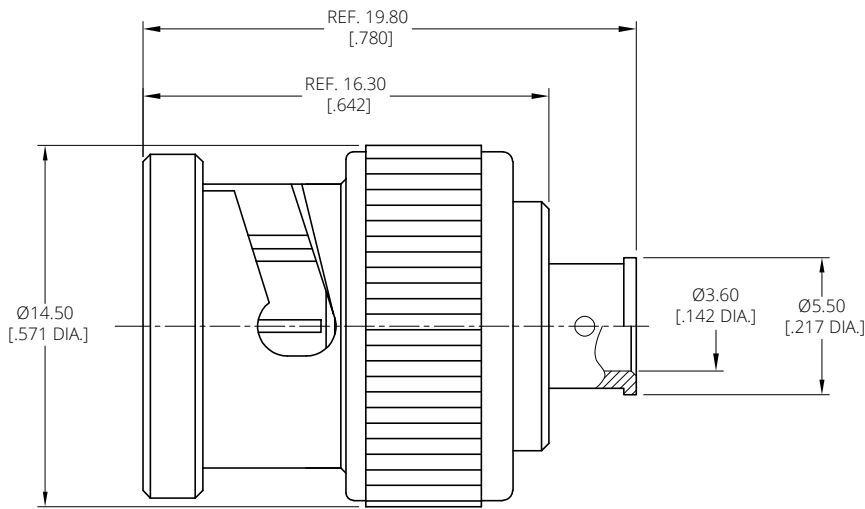
ELECTRICAL DATA:

- 1 IMPEDANCE: 50 Ω
- 2 FREQUENCY RANGE: DC~4 GHz
- 3 VSWR: 1.20 MAX. @ DC~1 GHz

ENVIRONMENTAL DATA:

- 1 TEMPERATURE RANGE: -55°C~+125°C
- 2 2011/65/EU(RoHS) AND 2015/863/(RoHS): COMPLIANT
- 3 1907/2006/EC(REACH): COMPLIANT

| REVISIONS | | | |
|-----------|-----------------|----------|----------|
| REV. | DESCRIPTION | DATE | APPROVED |
| A | INITIAL RELEASE | 01/22/25 | J. Q |
| | | | |



CABLE STRIPPING DIMENSIONS

D
C
B
A

D
C
B
A

4

3

2

1

| | | | |
|---|---------------|--|----------|
| DRAWN | W. Y | DATE | 01/22/25 |
| CHECKED | X. Y | DATE | 01/22/25 |
| APPROVED | J. Q | DATE | 01/22/25 |
| UNLESS OTHERWISE SPECIFIED DIMENSIONS ARE IN MILLIMETERS, DIMENSIONS IN [] ARE IN INCHES FOR CUSTOMER REFERENCE ONLY UNLESS OTHERWISE SPECIFIED TOLERANCE ARE: | | THESE DRAWINGS AND SPECIFICATIONS ARE THE PROPERTY OF ANOISON ELECTRONICS LTD AND SHOULD NOT BE USED WITHOUT WRITTEN PERMISSION COPYRIGHT © 2025 ANOISON ELECTRONICS LTD | |
| XX | ±0.13 [.005"] | | |
| X | ±0.20 [.008"] | | |
| X | ±0.50 [.019"] | | |
| X* | ±1° | | |
| X* | ±2° | | |



| | | | |
|--|-------|---------------|------|
| TITLE | | | |
| BNC STRAIGHT MALE SOLDER FOR RG402 CABLE, BLACK COUPLING NUT | | | |
| VIEW | | PART NO. | |
| | | ANO 3111-2054 | |
| SIZE | SCALE | SHEET | REV. |
| A3 | 5:1 | 1/1 | A |