

4

3

2

1

## REVISIONS

REV.	DESCRIPTION	DATE	APPROVED
A	INITIAL RELEASE	03/27/19	J. QU

## MATERIAL &amp; FINISH:

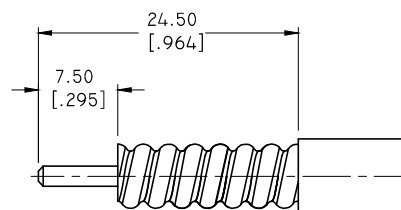
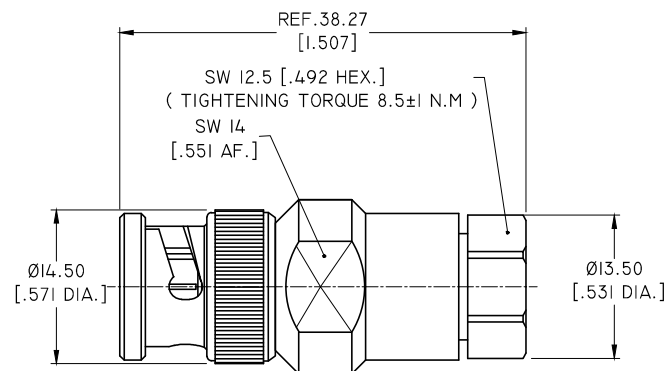
- 1 CENTER CONTACT: BRASS, GOLD PLATED
- 2 OUTER CONTACT: BRASS, ALBALOY PLATED
- 3 BODY: BRASS, ALBALOY PLATED
- 4 INSULATOR: PTFE
- 5 COUPLING NUT: BRASS, ALBALOY PLATED
- 6 WAVE WASHER: BERYLLIUM COPPER ALLOY, NICKEL PLATED
- 7 SPLIT WASHER: BRASS, NICKEL PLATED
- 8 GASKET: SILICONE RUBBER

## ELECTRICAL DATA:

- 1 IMPEDANCE: 50  $\Omega$
- 2 FREQUENCY RANGE: DC~4 GHz
- 3 VSWR:  $\leq 1.20$  AT DC~3 GHz  
 $\leq 1.25$  AT 3~4 GHz
- 4 VOLTAGE RATING (VRMS): 500V
- 5 INSULATION RESISTANCE:  $\geq 5000M\Omega$
- 6 CONTACT RESTANCE:  
CENTER CONTACT: 1.0 m $\Omega$   
OUTER CONDUCTOR: 2.5 m $\Omega$

## ENVIRONMENTAL DATA:

- 1 TEMPERATURE RANGE: -55°C ~ +85°C
- 2 CENTER CONTACT: BERYLLIUM COPPER ALLOY, GOLD PLATED
- 3 INSULATOR: PTFE



CABLE STRIPPING DIMENSIONS

DRAWN	W. YANG	DATE	03/27/19
CHECKED	L. YANG	DATE	03/27/19
APPROVED	J. QU	DATE	03/27/19
UNLESS OTHERWISE SPECIFIED DIMENSIONS ARE IN MILLINETERS, DIMENSIONS IN [ ] ARE IN INCHES FOR CUSTOMER REFERENCE ONLY UNLESS OTHERWISE SPECIFIED TOLERANCE ARE:		THESE DRAWINGS AND SPECIFICATIONS ARE THE PROPERTY OF ANOISON ELECTRONICS LTD AND SHOULD NOT BE USED WITHOUT WRITTEN PERMISSION COPYRIGHT © 2019 ANOISON ELECTRONICS LTD	
.XX	+0.13 [.005"]		
.X	+0.20 [.008"]		
X	+0.50 [.019"]		
.X°	±1°		
X°	±2°		



TITLE  
BNC MALE STRAIGHT CLAMP FOR 1/4" SUPER FLEX CABLE

VIEW



PART NO.

ANO 3111-2045

SIZE  
A3SCALE  
2:1SHEET  
1/1REV.  
A

4

3

2

1