

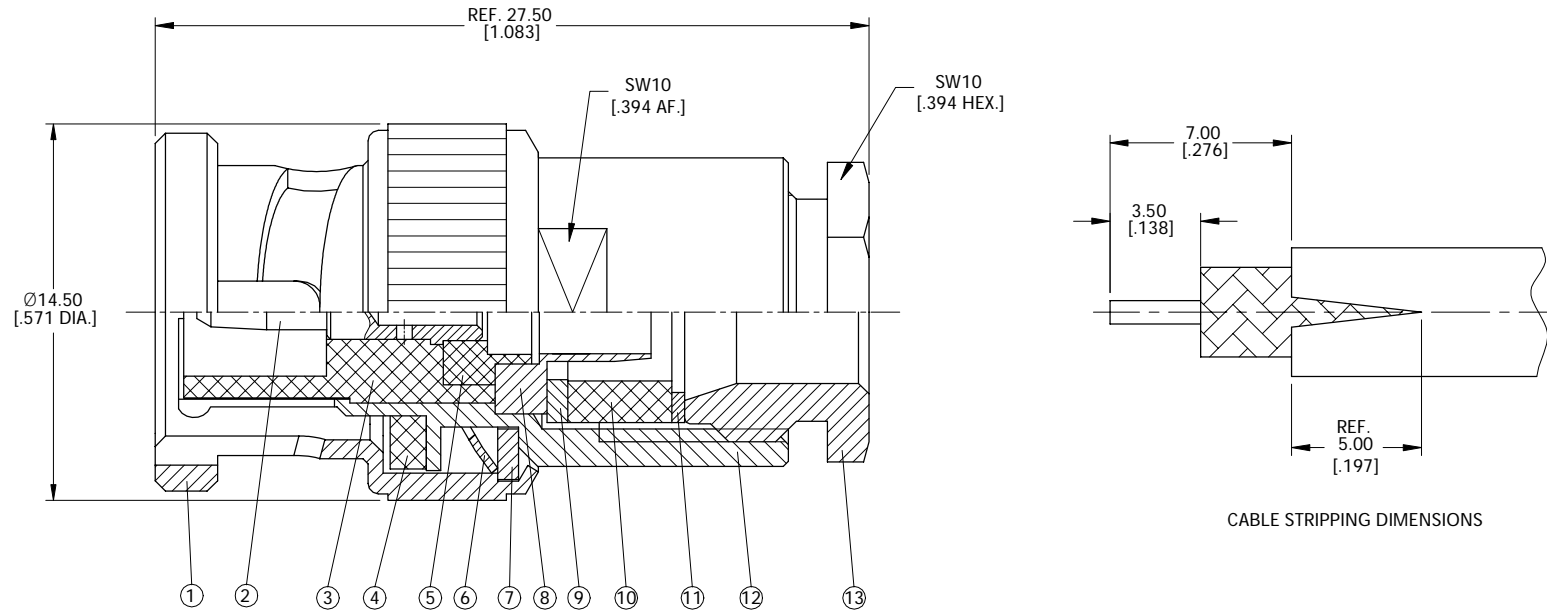
ELECTRICAL DATA:

- 1 IMPEDANCE: 50 Ω
- 2 FREQUENCY RANGE: DC-1 GHz

ENVIRONMENTAL DATA:

- 1 TEMPERATURE RANGE: -55 °C ~ +125 °C
- 2 2011/65/EU(RoHS) AND 2015/863/(RoHS): COMPLIANT
- 3 1907/2006/EC(REACH): COMPLIANT

REVISIONS			
REV.	DESCRIPTION	DATE	APPROVED
A	INITIAL RELEASE	01/12/22	J. QU



13	CLAMP NUT	BRASS	NICKEL	1
12	BODY	BRASS	NICKEL	1
11	WASHER	BRASS	NICKEL	1
10	GASKET	SILCONE RUBBER	—	1
9	WASHER	BRASS	NICKEL	1
8	CLAMP BRAID SLEEVE	BRASS	NICKEL	1
7	SPLIT WASHER	BRASS	NICKEL	1
6	WAVE WASHER	BERYLLIUM COPPER ALLOY	NICKEL	1
5	INSULATOR	PTFE	—	1
4	GASKET	SILCONE RUBBER	—	1
3	INSULATOR	PTFE	—	1
2	CENTER CONTACT	BRASS	GOLD	1
1	COUPLING NUT	BRASS	NICKEL	1
NO.	PARTS NAME	MATERIAL	FINISH	QTY

DRAWN	XB. YANG	DATE	01/12/22
CHECKED	W. YANG	DATE	01/12/22
APPROVED	J. QU	DATE	01/12/22
UNLESS OTHERWISE SPECIFIED DIMENSIONS ARE IN MILLIMETERS, DIMENSIONS IN [] ARE IN INCHES FOR CUSTOMER REFERENCE ONLY UNLESS OTHERWISE SPECIFIED TOLERANCE ARE:		THESE DRAWINGS AND SPECIFICATIONS ARE THE PROPERTY OF ANOISON ELECTRONICS LTD AND SHOULD NOT BE USED WITHOUT WRITTEN PERMISSION COPYRIGHT © 2022 ANOISON ELECTRONICS LTD	
.XX	±0.13 [.005"]		
.X	±0.20 [.008"]		
X	±0.50 [.019"]		
.X°	±1°		
X°	±2°		



TITLE
BNC STRAIGHT MALE CLAMP FOR LMR195/RG58 CABLE

VIEW	PART NO. ANO 3111-2041			
	SIZE A3	SCALE 5:1	SHEET 1/1	REV. A