

MATERIAL & FINISH:

- 1 BODY: BRASS, ALBALOY PLATED
- 2 CENTER CONTACT: PHOSPHOR BRONZE, GOLD PLATED
- 3 INSULATOR: PTFE
- 4 COUPLING NUT: BRASS, NICKEL PLATED
- 5 GASKET: SILICONE RUBBER

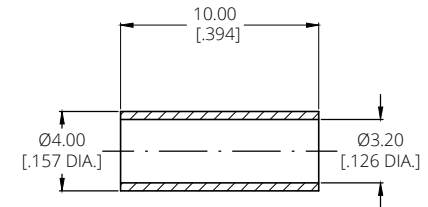
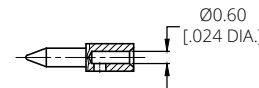
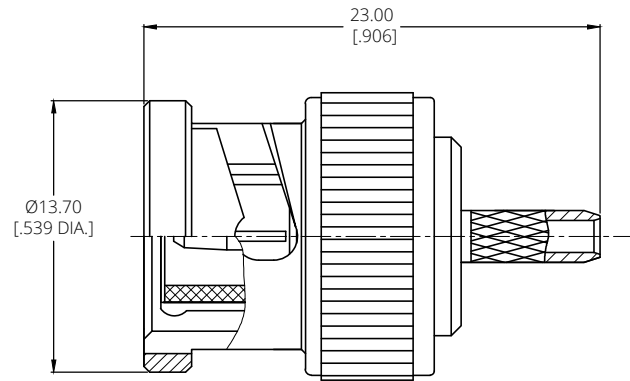
ENVIRONMENTAL DATA:

- 1 TEMPERATURE RANGE: -55°C~+125°C
- 2 2011/65/EU(RoHS) AND 2015/863/(RoHS): COMPLIANT

ELECTRICAL DATA:

- 1 IMPEDANCE: 50 Ω
- 2 FREQUENCY RANGE: DC~3 GHz
- 3 VSWR: ≤ 1.35

REVISIONS			
REV.	DESCRIPTION	DATE	APPROVED
B	STRUCTURE CHANGED	05/06/10	J. Q
C	STRUCTURE CHANGED	08/29/13	J. Q
D	DRAWING FORMAT CHANGED	07/09/19	J. Q
E	PIN STRUCTURE CHANGED	07/02/24	J. Q



DRAWN	Y. H	DATE	07/02/24			
CHECKED	L. Y	DATE	07/02/24			
APPROVED	J. Q	DATE	07/02/24			
UNLESS OTHERWISE SPECIFIED DIMENSIONS ARE IN MILLIMETERS, DIMENSIONS IN [] ARE IN INCHES FOR CUSTOMER REFERENCE ONLY UNLESS OTHERWISE SPECIFIED TOLERANCE ARE:		THESE DRAWINGS AND SPECIFICATIONS ARE THE PROPERTY OF ANOISON ELECTRONICS LTD AND SHOULD NOT BE USED WITHOUT WRITTEN PERMISSION COPYRIGHT © 2024 ANOISON ELECTRONICS LTD				
XX	±0.13 [0.005"]	TITLE BNC MALE STRAIGHT CRIMP FOR RG174/RG316 CABLE				
X	±0.20 [0.008"]					
X	±0.50 [0.019"]					
X°	±1°					
X°	±2°					
VIEW		PART NO. ANO 3111-2022				
		SIZE A3	SCALE 4:1	SHEET 1/1	REV. E	

