

**MATERIAL & FINISH:**

- 1 BODY: BRASS, NICKEL PLATED
- 2 CENTER CONTACT: PHOSPHOR BRONZE, GOLD PLATED
- 3 INSULATOR: PTFE
- 4 COUPLING NUT: BRASS, NICKEL PLATED

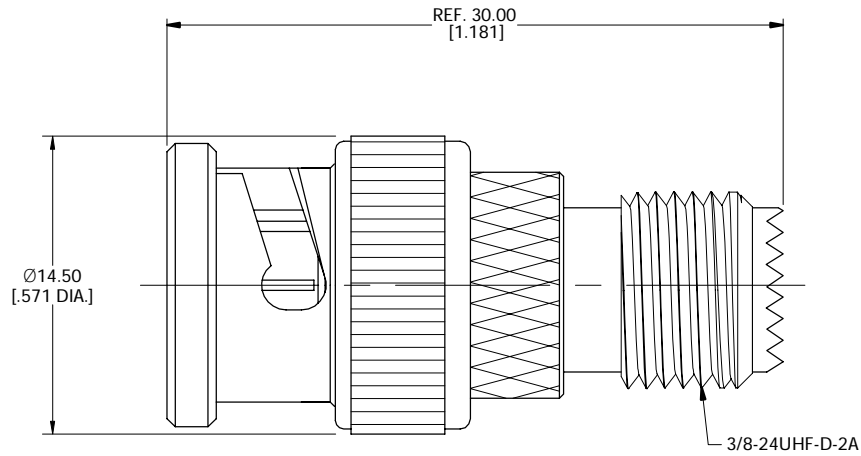
**ELECTRICAL DATA:**

- 1 IMPEDANCE: 50 Ω
- 2 FREQUENCY RANGE: DC-2.5GHz

**ENVIRONMENTAL DATA:**

- 1 TEMPERATURE RANGE: -55°C~+125°C
- 2 2011/65/EU(RoHS) AND 2015/863/(RoHS): COMPLIANT
- 3 1907/2006/EC(REACH): COMPLIANT

| REVISIONS |                 |          |          |
|-----------|-----------------|----------|----------|
| REV.      | DESCRIPTION     | DATE     | APPROVED |
| A         | INITIAL RELEASE | 08/22/23 | J. Q     |
|           |                 |          |          |



|   |               |  |          |
|---|---------------|--|----------|
| DRAWN   | X. Y          | DATE   | 08/22/23 |
| CHECKED   | W. Y          | DATE   | 08/22/23 |
| APPROVED  | J. Q          | DATE   | 08/22/23 |
| UNLESS OTHERWISE SPECIFIED DIMENSIONS ARE IN MILLIMETERS. DIMENSIONS IN [ ] ARE IN INCHES FOR CUSTOMER REFERENCE ONLY UNLESS OTHERWISE SPECIFIED TOLERANCE ARE: |               | THESE DRAWINGS AND SPECIFICATIONS ARE THE PROPERTY OF ANOISON ELECTRONICS LTD AND SHOULD NOT BE USED WITHOUT WRITTEN PERMISSION COPYRIGHT © 2023 ANOISON ELECTRONICS LTD |          |
| .XX   | ±0.13 [.005"] |  |          |
| .X  | ±0.20 [.008"] |  |          |
| X   | ±0.50 [.019"] |  |          |
| X°  | ±1°           |  |          |
| X"  | ±2°           |  |          |



|                                      |       |                  |      |
|--------------------------------------|-------|------------------|------|
| TITLE                                |       |                  |      |
| ADAPTER, BNC MALE TO MINI UHF FEMALE |       |                  |      |
| VIEW                                 |       | PART NO.         |      |
|                                      |       | ANO 311-632-1643 |      |
| SIZE                                 | SCALE | SHEET            | REV. |
| A3                                   | 4:1   | 1/1              | A    |