

4

3

2

1

1.0 MATERIAL & FINISH

- 1.1 BODY: BRASS, NICKEL PLATED
 1.2 CENTER CONTACT: PHOSPHOR BRONZE, SILVER PLATED
 1.3 INSULATOR: PTFE
 1.4 COUPLING NUT: BRASS, NICKEL PLATED
 1.5 GASKETE: SILICONE RUBBER

2.0 ENVIRONMENTAL DATA:

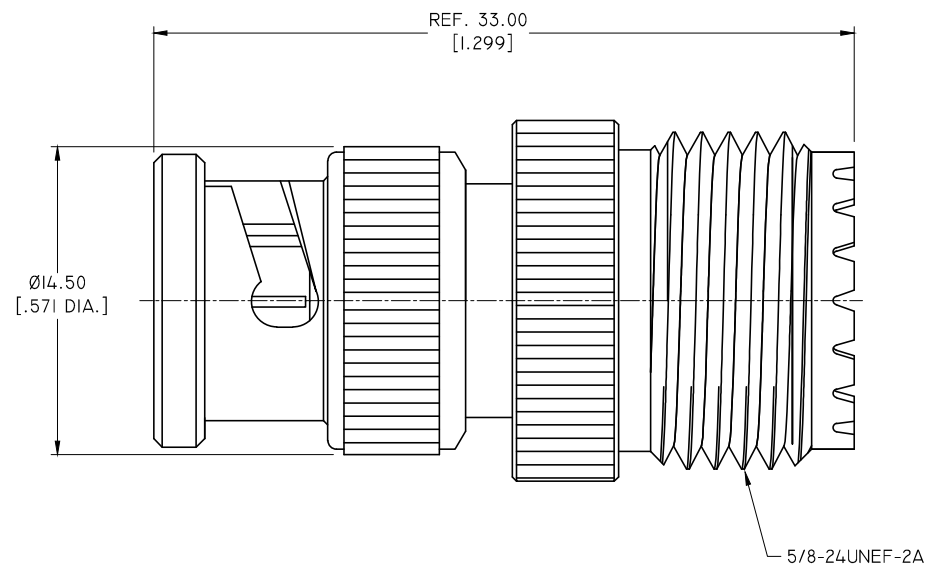
- 2.1 TEMPERATURE RANGE: -55°C~+125°C
 2.2 2011/65/EU(RoHS) AND 2015/863/(RoHS): COMPLIANT
 2.3 1907/2006/EC(REACH) AND 1999/45/EC(REACH): COMPLIANT

3.0 ELECTRICAL DATA:

- 3.1 IMPEDANCE: 50 OHMS
 3.2 FREQUENCY RANGE: DC~300 MHZ

REVISIONS

REV.	DESCRIPTION	DATE	APPROVED
A	INITIAL RELEASE	04/24/19	J. QU



DRAWN	W. YANG	DATE	04/24/19
CHECKED	X. B. YANG	DATE	04/24/19
APPROVED	J. QU	DATE	04/24/19
UNLESS OTHERWISE SPECIFIED DIMENSIONS ARE IN MILLIMETERS. DIMENSIONS IN [] ARE IN INCHES FOR CUSTOMER REFERENCE ONLY UNLESS OTHERWISE SPECIFIED TOLERANCE ARE:		THESE DRAWINGS AND SPECIFICATIONS ARE THE PROPERTY OF ANOISON ELECTRONICS LTD AND SHOULD NOT BE USED WITHOUT WRITTEN PERMISSION COPYRIGHT © 2019 ANOISON ELECTRONICS LTD	
.XX	±0.13 [.005"]		
.X	±0.20 [.008"]		
X	±0.50 [.019"]		
.X°	±1°		
X°	±2°		



TITLE			
ADAPTER, BNC MALE TO UHF FEMALE			
VIEW	PART NO.		
	ANO 311-522-1492		
SIZE	SCALE	SHEET	REV.
A3	4:1	1/1	A

4

3

2

1