

4

3

2

1

1.0 MATERIAL & FINISH:

- 1.1 BODY: BRASS, NICKEL PLATED
 1.2 CENTER CONTACT: PHOSPHOR BRONZE, GOLD PLATED
 1.3 INSULATOR: PTFE
 1.4 COUPLING NUT: BRASS, NICKEL PLATED
 1.5 GASKET: SILICONE RUBBER

2.0 ENVIRONMENTAL DATA:

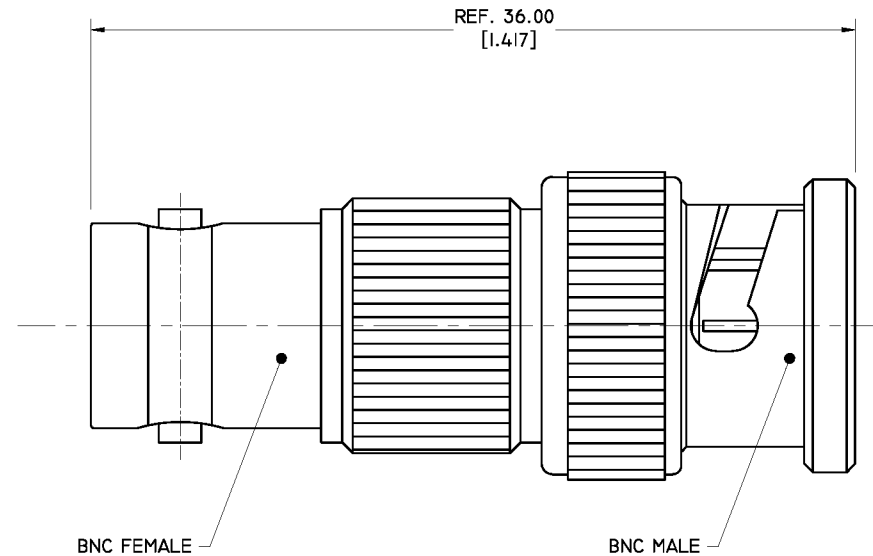
- 2.1 TEMPERATURE RANGE: -55°C~+125°C
 2.2 2011/65/EU (RoHS): COMPLIANT

3.0 ELECTRICAL DATA:

- 3.1 IMPEDANCE: 50 Ω
 3.2 FREQUENCY RANGE: DC~4 GHz

REVISIONS

REV.	DESCRIPTION	DATE	APPROVED
A	INITIAL RELEASE	08/23/19	J. QU



DRAWN	W. YANG	DATE	08/23/19
CHECKED	X. B. YANG	DATE	08/23/19
APPROVED	J. QU	DATE	08/23/19
UNLESS OTHERWISE SPECIFIED DIMENSIONS ARE IN MILLIMETERS, DIMENSIONS IN [] ARE IN INCHES FOR CUSTOMER REFERENCE ONLY UNLESS OTHERWISE SPECIFIED TOLERANCE ARE:		THESE DRAWINGS AND SPECIFICATIONS ARE THE PROPERTY OF ANOISON ELECTRONICS LTD AND SHOULD NOT BE USED WITHOUT WRITTEN PERMISSION COPYRIGHT © 2019 ANOISON ELECTRONICS LTD	
.XX	±0.13 [.005"]		
.X	±0.20 [.008"]		
X	±0.50 [.019"]		
.X°	±1°		
X°	±2°		



TITLE
 ADAPTER, BNC MALE TO BNC FEMALE

VIEW	PART NO. ANO 311-312-1509		
	SIZE A3	SCALE 4:1	SHEET 1/1
		REV. A	

4

3

2

1