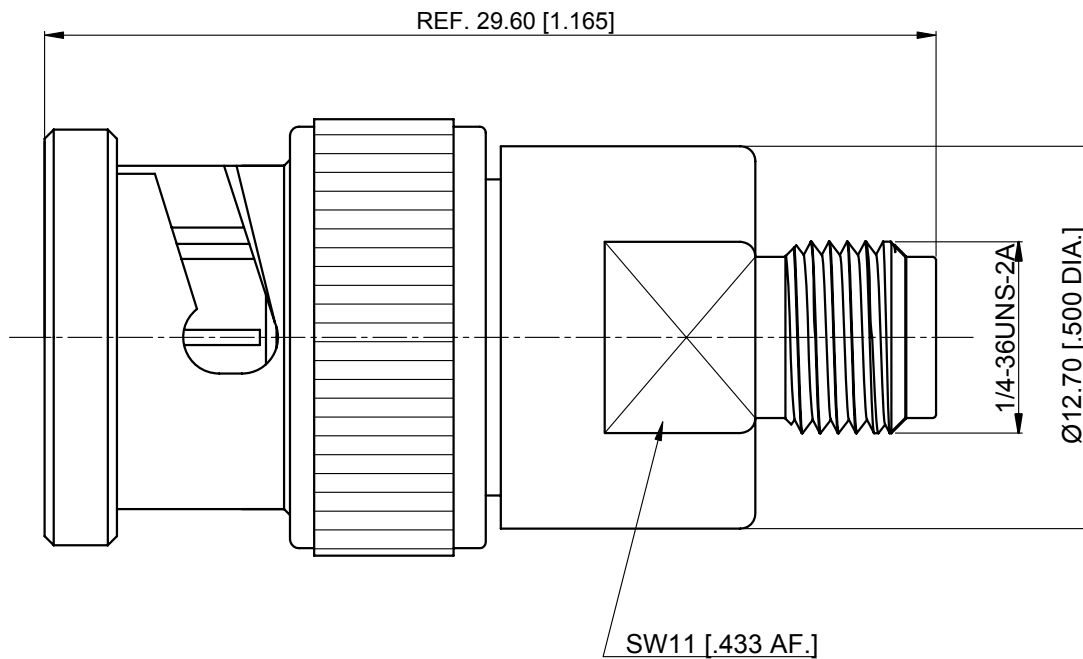


DESCRIPTION	MATERIAL	FINISH
Center Contact	Beryllium Copper Alloy	Gold
Body	Stainless Steel	Passivated
Coupling Nut	Brass	Nickel
Wave Washer	Beryllium Copper Alloy	Nickel
Split Washer	Brass	Nickel
Insulator	PTFE/PEI	—
Gasket	MVQ (Silicone Rubber)	—


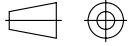
Technical Data

1. Impedance: 50 Ω
2. Temp. range: -55 °C ~ +165 °C
3. Frequency range: DC~8GHz
4. VSWR: 1.20 max.
5. Durability: 500 Cycles



NOTES:

1. ALL SPECIFICATIONS ARE SUBJECT TO CHANGE WITHOUT NOTICE AT ANY TIME
2. CUSTOMER OUTLINE DRAWING FOR REFERENCE ONLY

				Drawn: X. B. Yang 04/09/12	Title: Adapter, BNC Male to SMA Female
				Checked: L. Yang 04/09/12	
Description				Approved: J. Qu 04/09/12	
Ecn.No				Unless otherwise specified dimensions are in millimeters, dimensions in [] are in inches for customer reference only.	
Date				Unless Otherwise Specified tolerance are:	
Rev				.XX ±0.13 [.005"]	
 www.anoison.com				.X ±0.20 [.008"]	
				X ±0.50 [.019"]	
				.X° ±1°	
				X° ±2°	
				View:	Part No:
					ANO 311-212-1174
Size:		Scale:		Sheet:	
A4		3:1		1/1	
				Rev:	
				A	